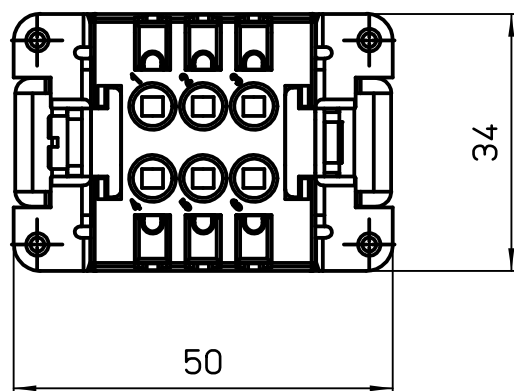
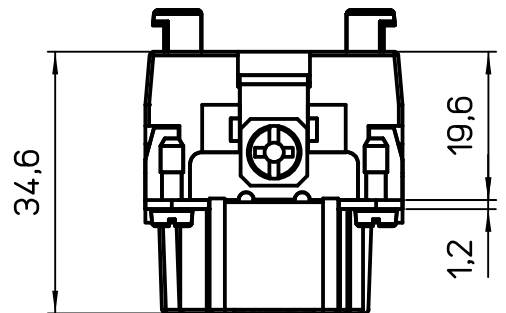
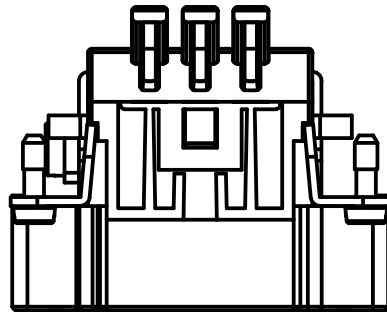
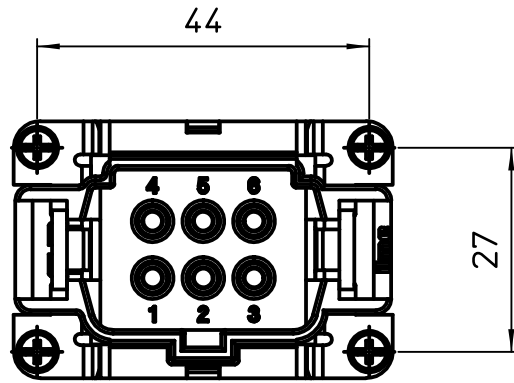



Diritti riservati All rights reserved



dimensions in mm	JSHM 06	Scale	
Date 05/11/13	SQUICH male insert, spring, 06P 16A 500V	1:1	
Sign. Radice			