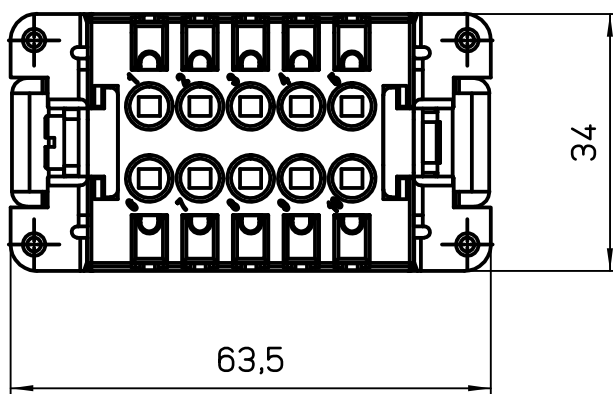
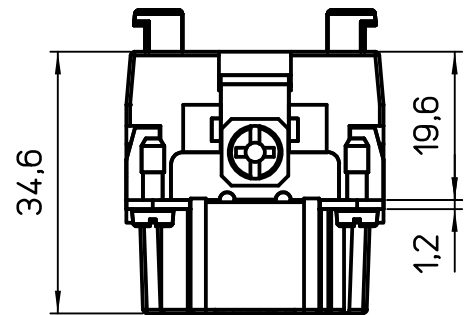
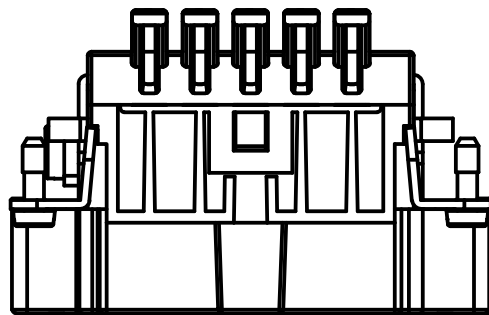
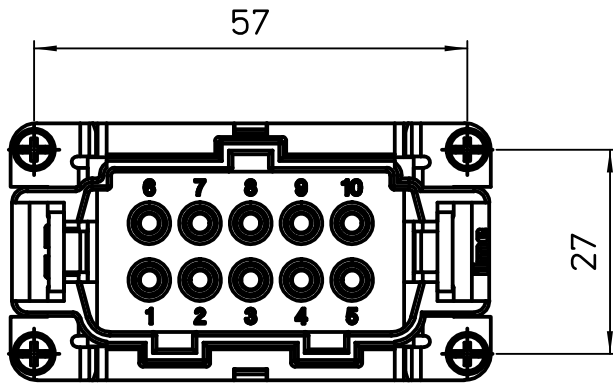



Diritti riservati All rights reserved



| | | | | |
|------------------|----------|--|--------------|---|
| dimensions in mm | | JSHM 10 S SQUICH male insert, silver contacts, spring, 10P 16A 500V | Scale 1:1 |  |
| Date | 15/05/19 | | | |
| Sign. | Pitasi | | | |