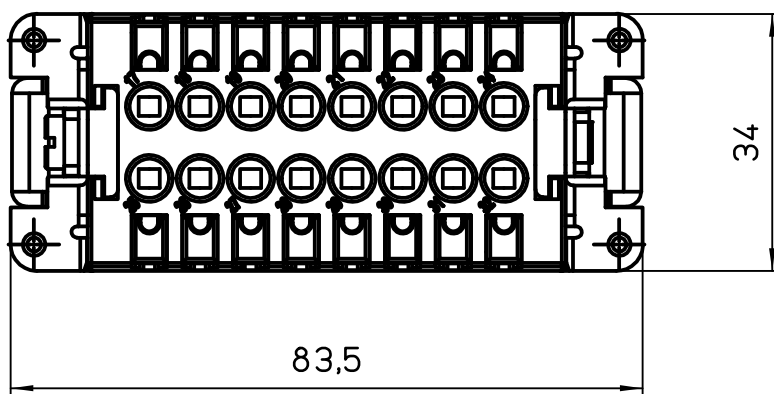
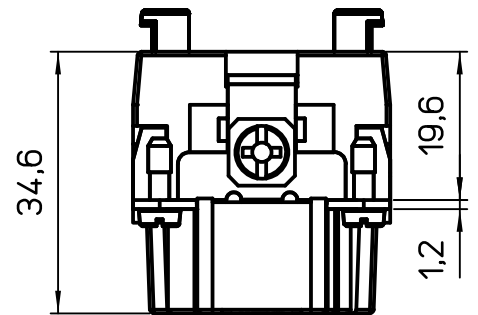
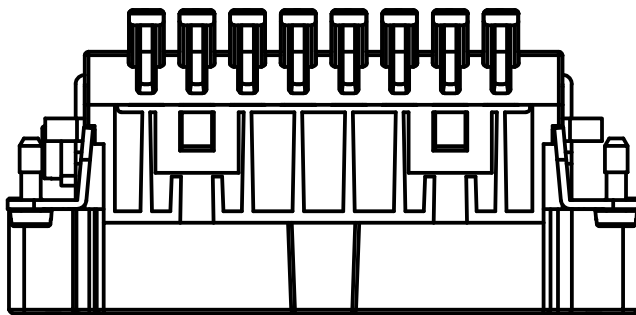
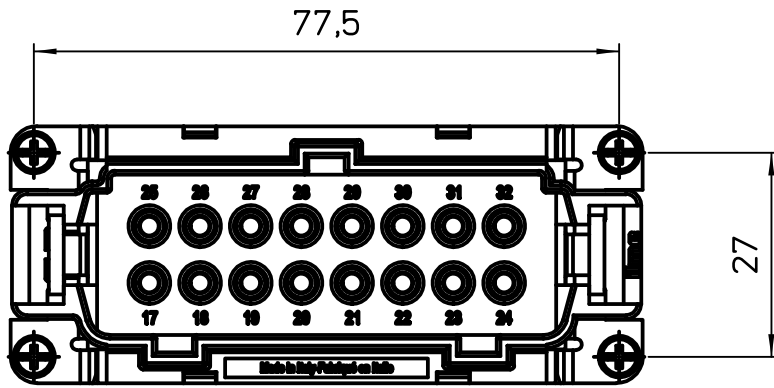



Diritti riservati All rights reserved



dimensions in mm	JSHM 16 SN	Scale	
Date 15/05/19	SQUICH male insert, silver contacts, spring, 32P 16A 500V	1:1	
Sign. Pitasi			