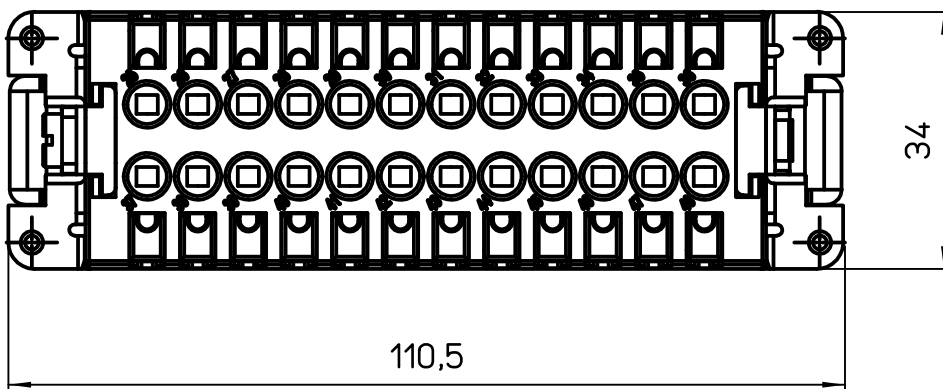
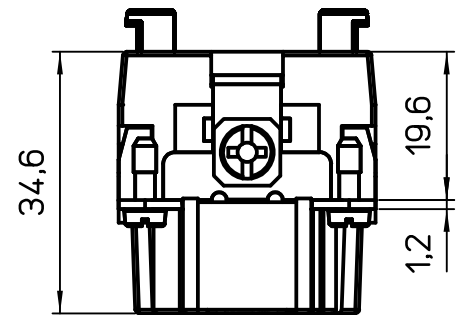
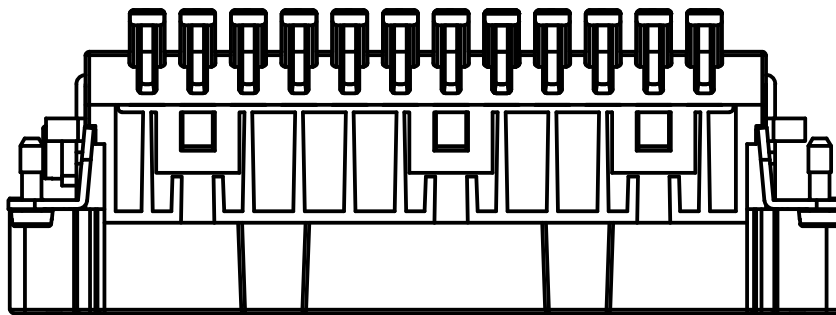
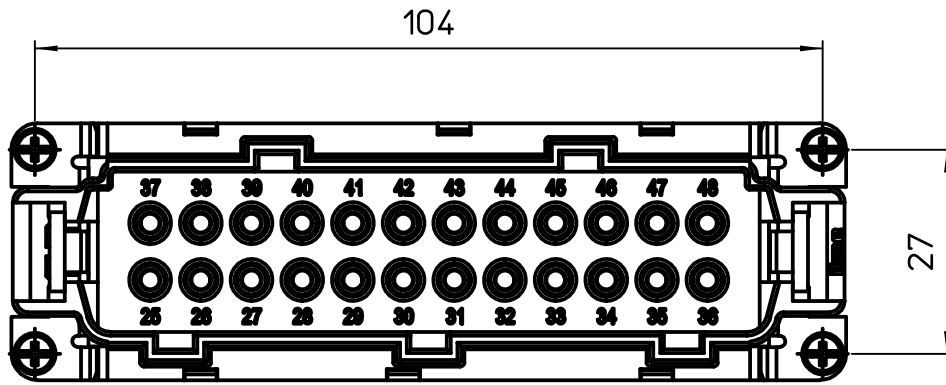



Diritti riservati All rights reserved



| | | | |
|------------------|--|-------|---|
| | | | |
| | | | |
| | | | |
| | | | |
| dimensions in mm | JSHM 24 N | Scale |  |
| Date 23/01/14 | SQUICH male insert, spring, 48P 16A 500V | 1:1 | |
| Sign. Radice | | | |