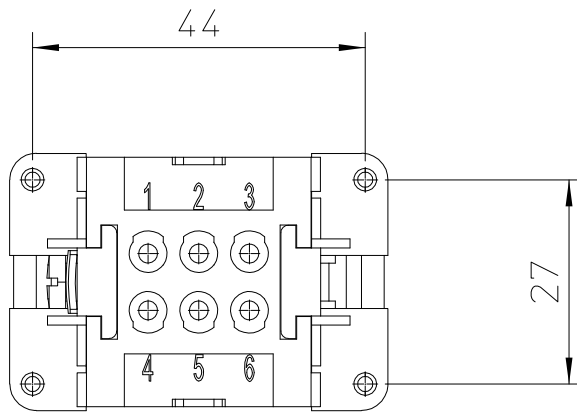
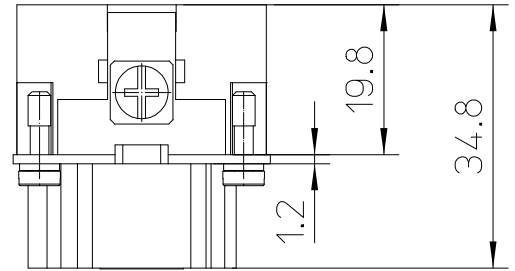
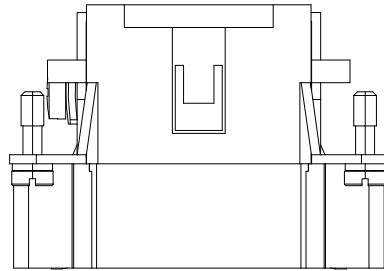
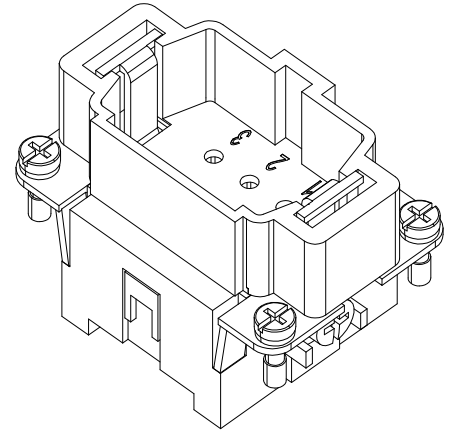
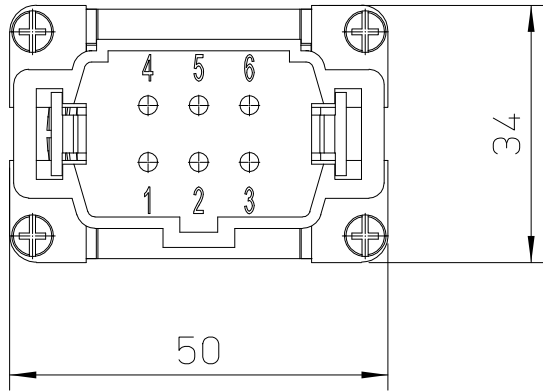


Diritti riservati All rights reserved



<p>dimensions in mm</p> <p>Date 01/04/17</p> <p>Sign. C. Mainini</p>	<p>RCEM 06</p> <p>Male insert, crimp, 6P 16A 500V - High Number Cycles</p>	<p>Scale</p> <p>1:1</p>	
--	--	-------------------------	--