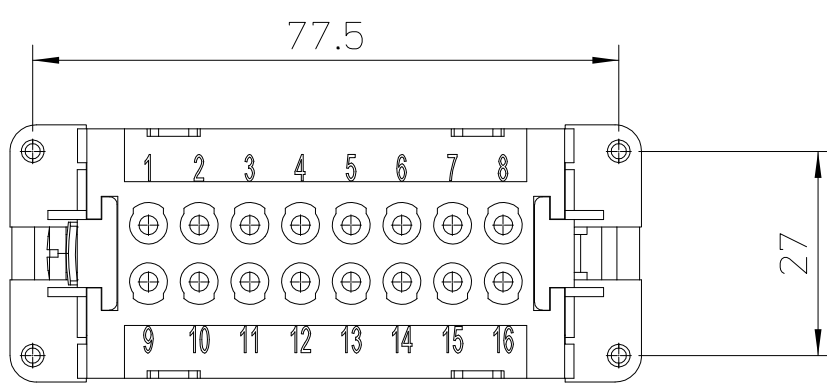
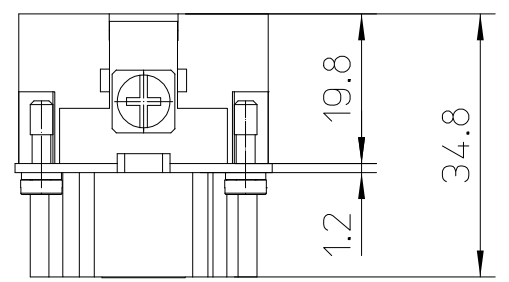
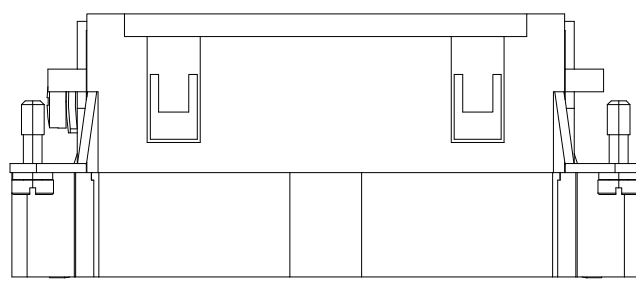
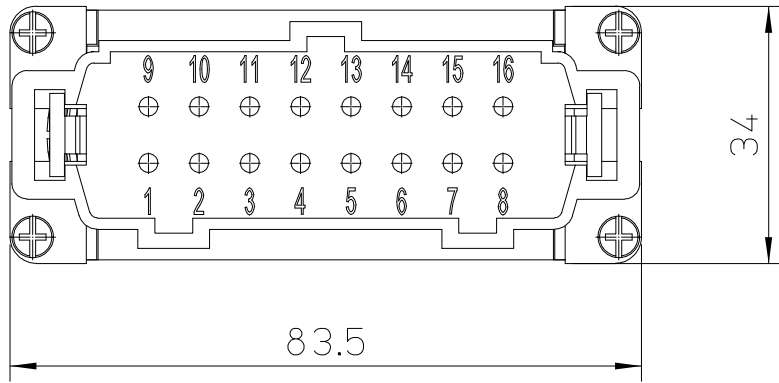
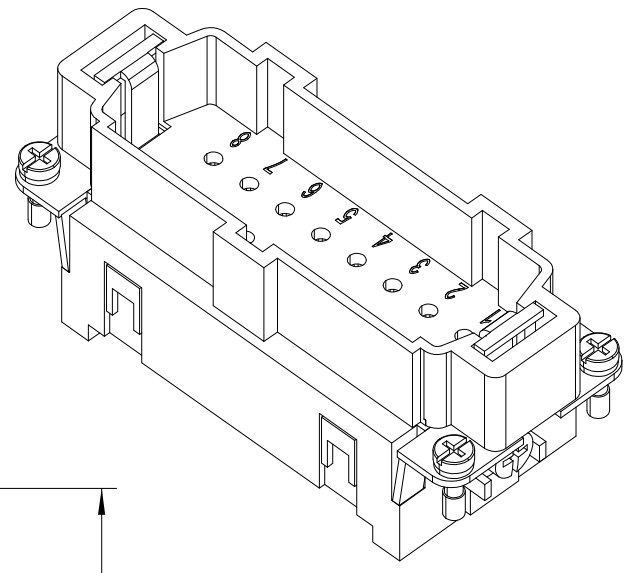


Diritti riservati All rights reserved



dimensions in mm		RCEM 16 Male insert, crimp, 16P 16A 500V High Number Cycles	Scale	
Date	04/01/17		1:1	
Sign.	C. Mainini			