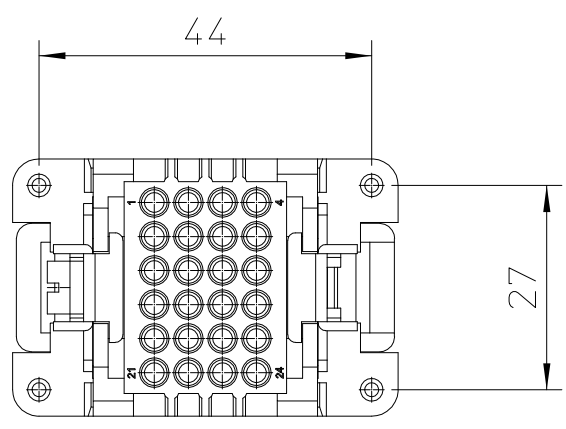
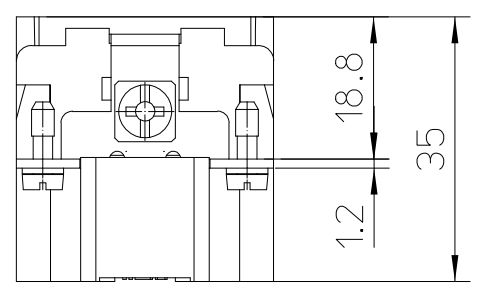
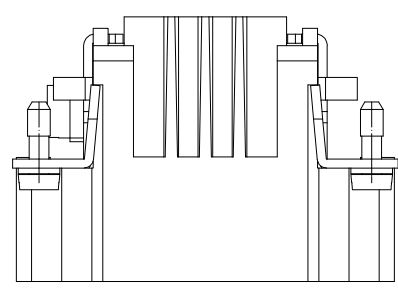
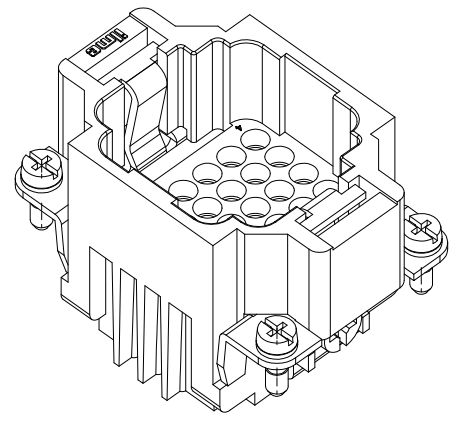
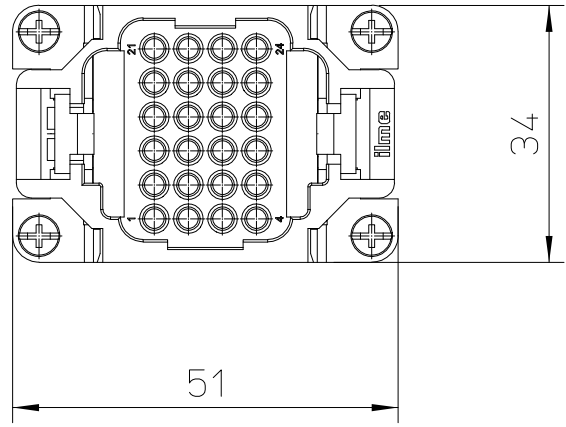


Diritti riservati All rights reserved



dimensions in mm
Date 04/01/17
Sign. C. Mainini

RDDM 24
Male insert, crimp, 24P 10A 250V - High Number Cycles

Scale
1:1

