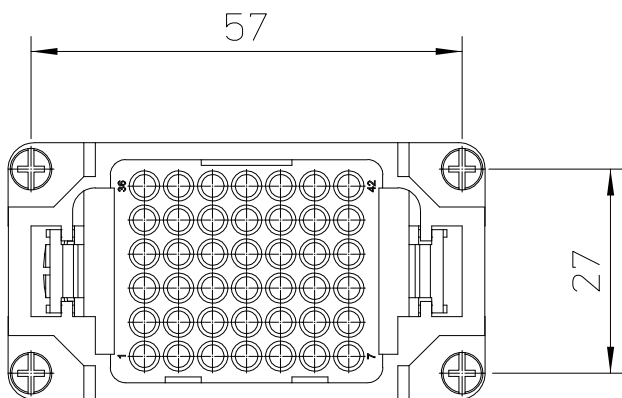
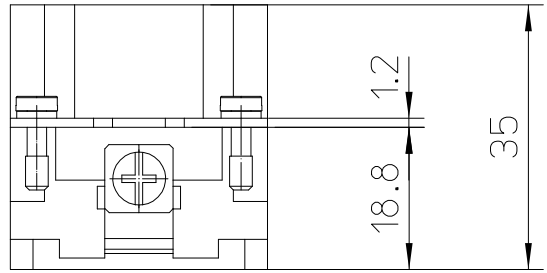
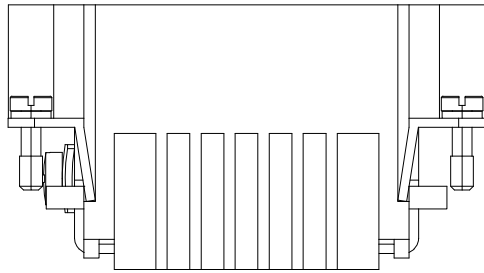
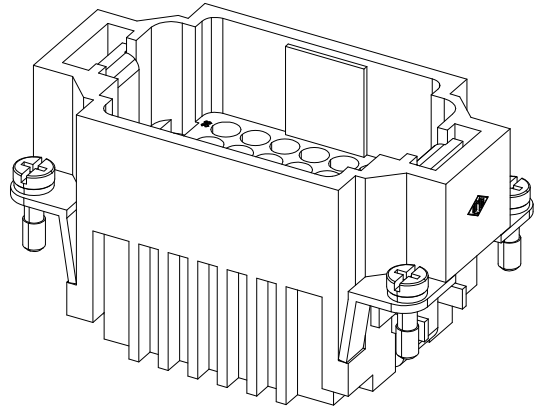
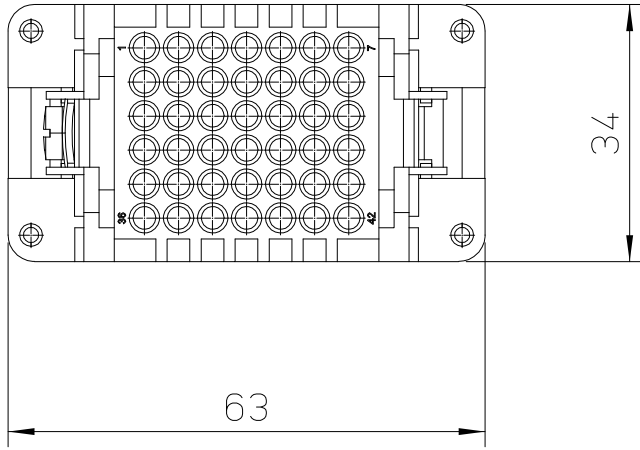


Diritti riservati All rights reserved



dimensions in mm

Date 04/01/17

Sign. C. Mainini

**RDDM 42**

**Male insert, crimp, 42P 10A 250V - High Number Cycles**

Scale

1:1

