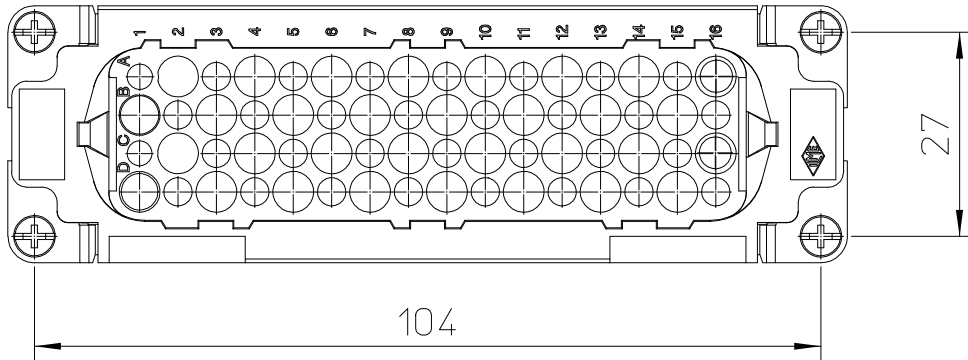
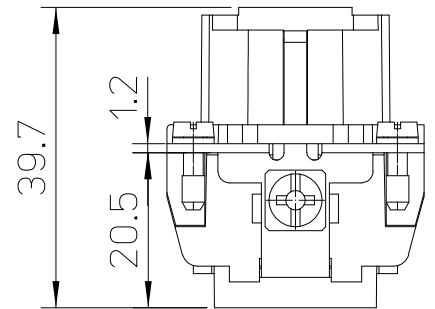
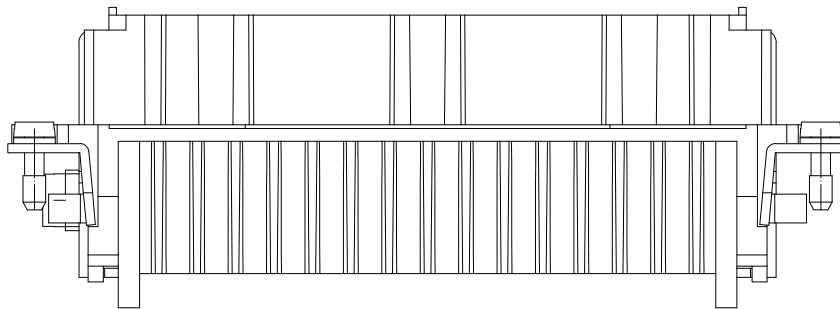
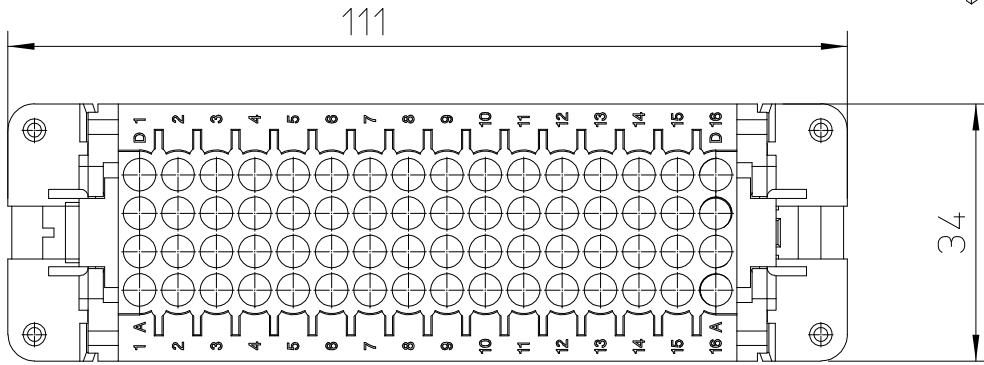
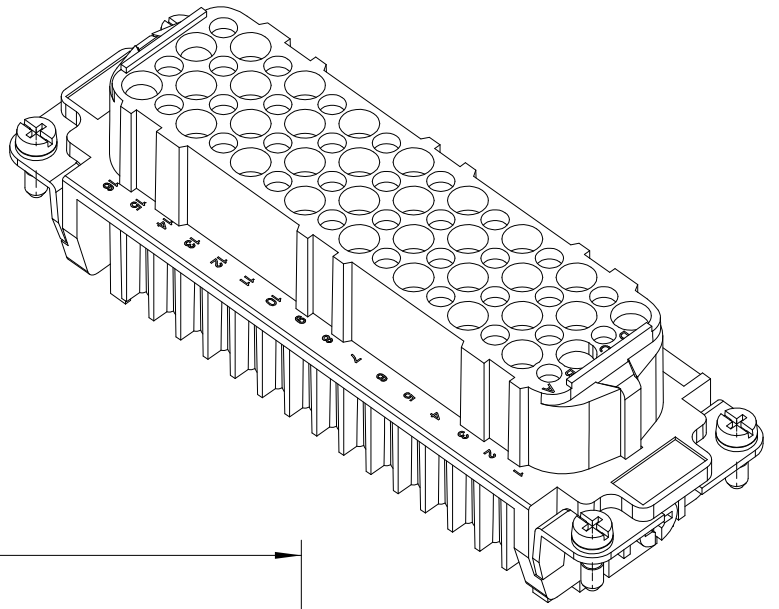


Diritti riservati All rights reserved



dimensions in mm
 Date 04/01/17
 Sign. C. Mainini

RDF 64
Female insert, crimp, 64P 10A 250V - High Number Cycles

Scale
 1:1

