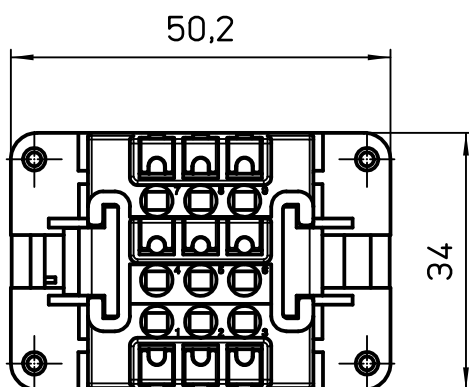
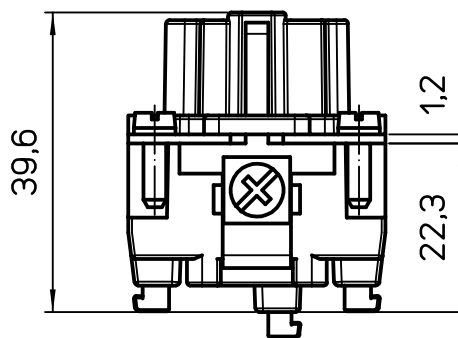
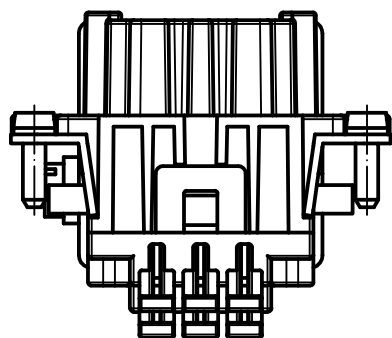


A



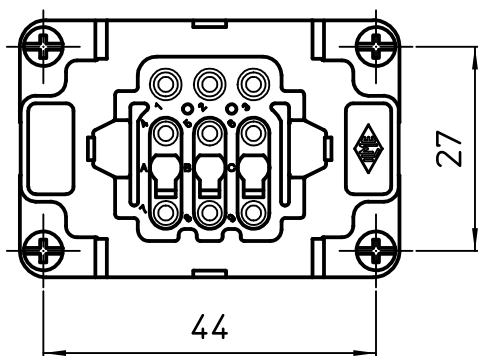
A

B



B

C



C

Diritti riservati All rights reserved

REV.	DATE	SIGNATURE		
Dimensions in mm		Simplified representation with dimensions without tolerance		
Original Size A4		RDSHF 09 SQUICH female insert, spring, 9P 10A 400V - HNM	Scale 1:1	
Date 28/04/21				
Sign. S. Diasparra				