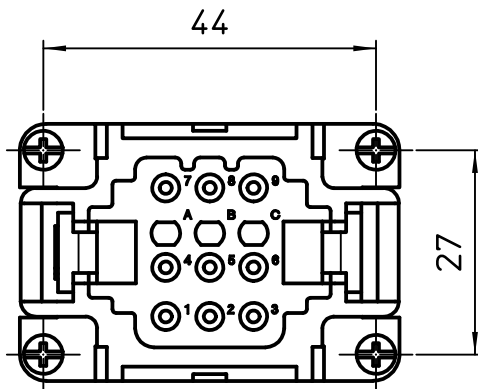
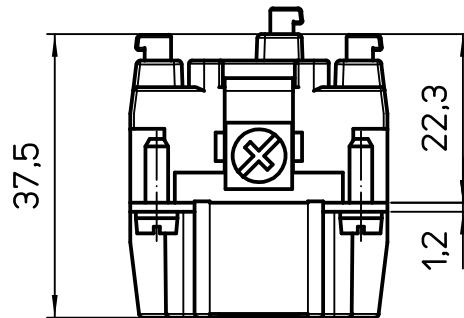
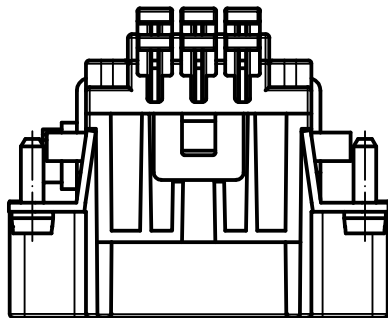


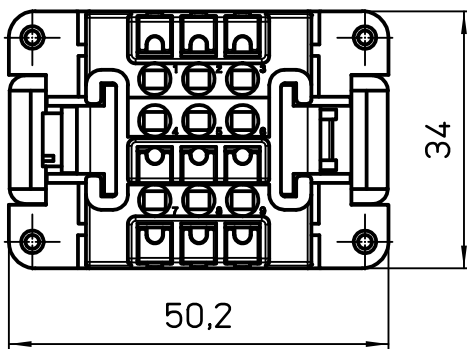
A





B



C



Diritti riservati All rights reserved

REV.	DATE	SIGNATURE		
 Dimensions in mm		Simplified representation with dimensions without tolerance		
Original Size A4		RDSHM 09	Scale	
Date 28/04/21		SQUICH male insert, spring, 9P 10A 400V - HNM	1:1	
Sign. S. Diasparra				