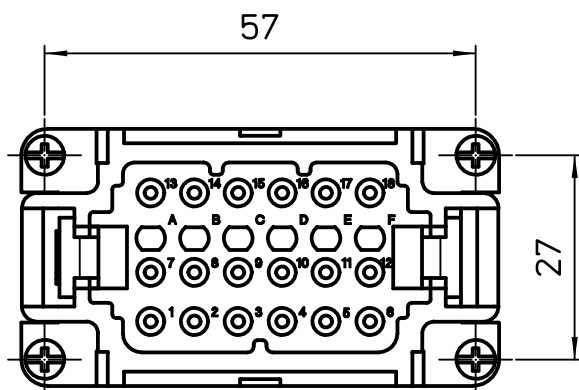


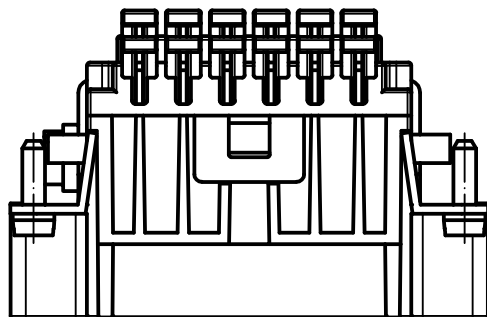
A



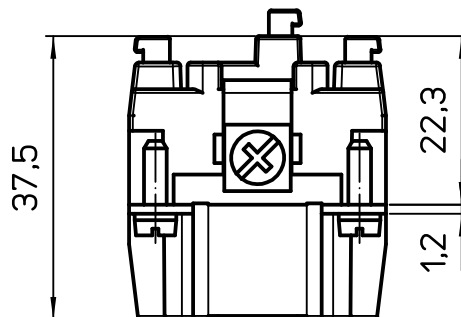
A

Diritti riservati All rights reserved

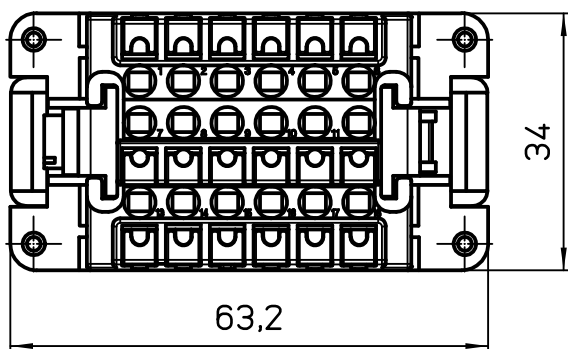
B



B



C



C

REV.	DATE	SIGNATURE
------	------	-----------



Dimensions in mm

Simplified representation with dimensions without tolerance

Original Size A4

Date 28/04/21

Sign. S. Diasparra

RDSHM 18

SQUICH male insert, spring, 18P 10A 400V - HNM

Scale 1:1

