

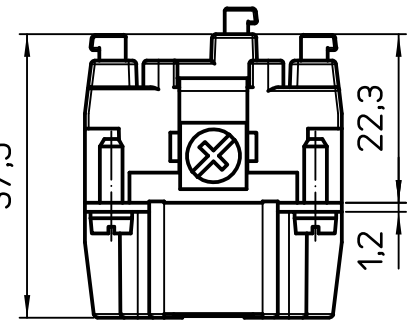
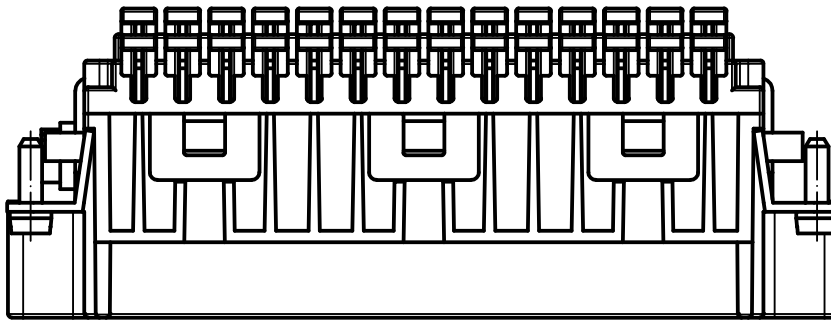
A

A

Diritti riservati All rights reserved

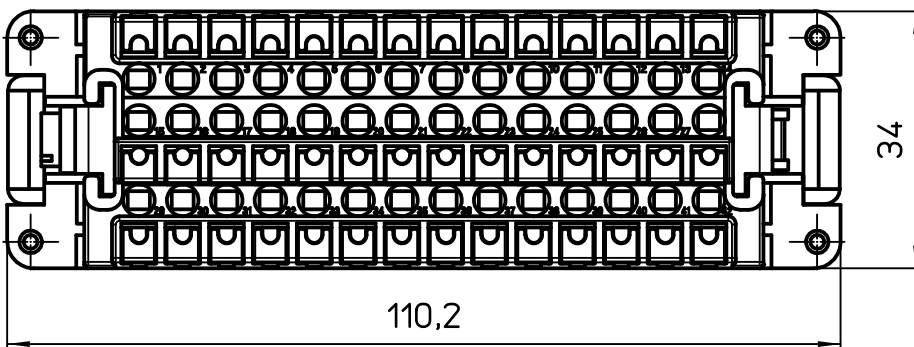
B

B



C

C



REV.	DATE	SIGNATURE		
Dimensions in mm		Simplified representation with dimensions without tolerance		
Original Size A4		RDSHM 42		Scale 1:1
Date 28/04/21		SQUICH male insert, spring, 42P 10A 400V - HNM		
Sign. S. Diasparra				