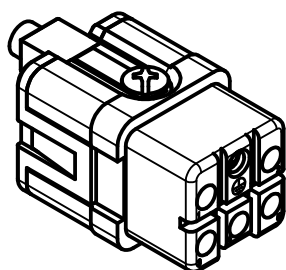
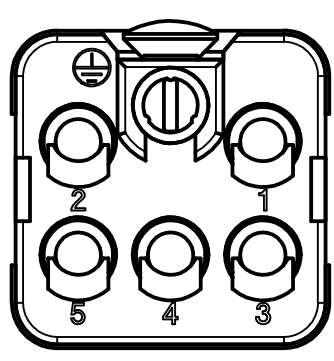


1

2



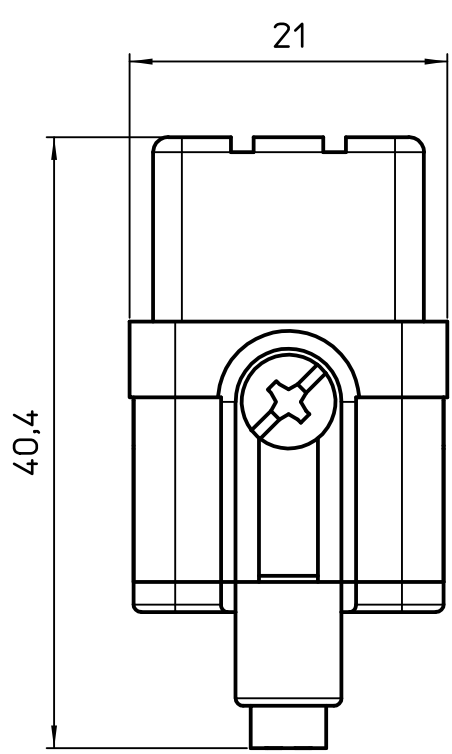
A



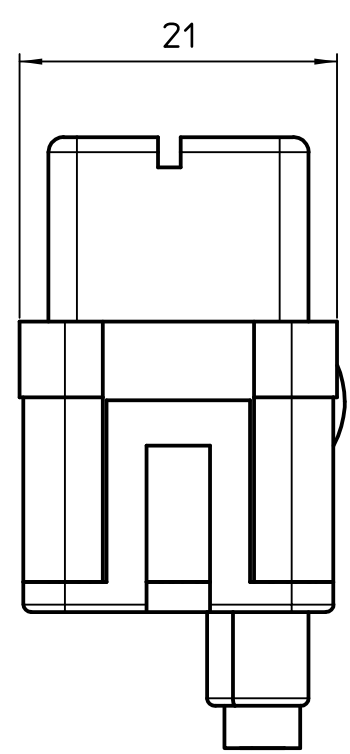
A

Diritti riservati All rights reserved

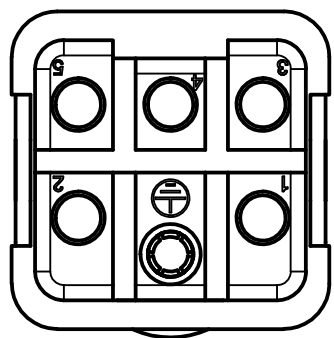
B



B



C



C

REV.	DATE	SIGNATURE		
Dimensions in mm		Simplified representation with dimensions without tolerance		
Original Size A4		RQF 05 Female insert, crimp, 5P + PE, 16 A 230/400 V, size "21.21", HNM	Scale 2:1	
Date 07/04/21				
Sign. S. Diasparra				

1

2