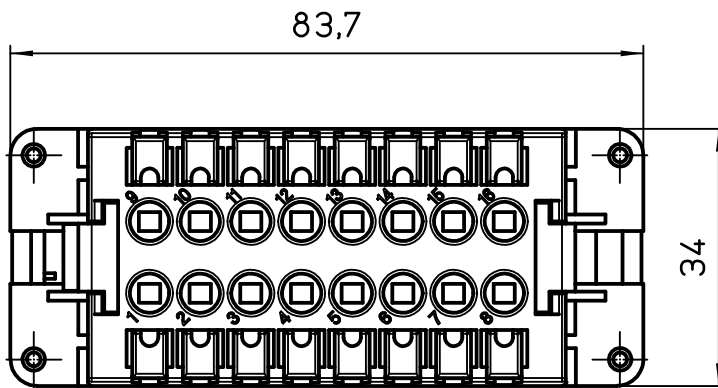


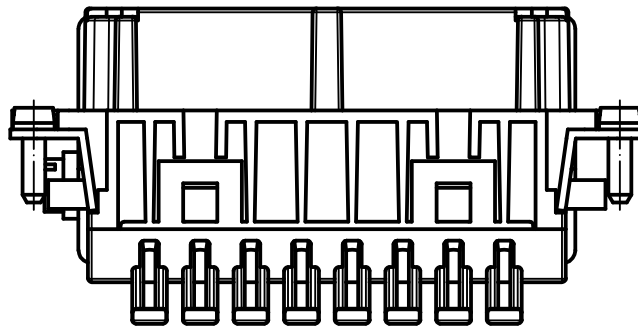
A



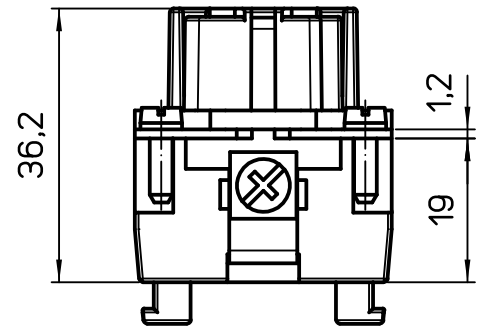
A

Diritti riservati All rights reserved

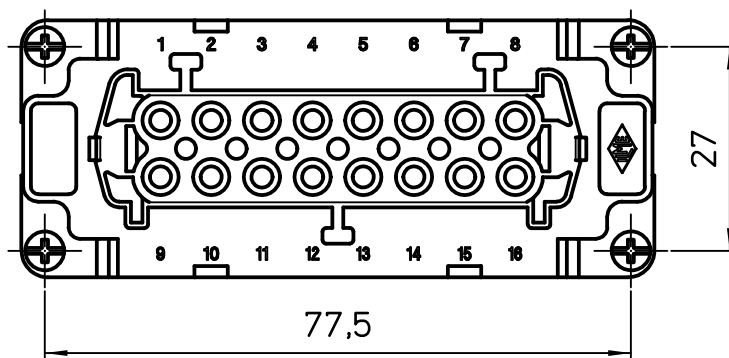
B



B



C



C

REV.	DATE	SIGNATURE		
Dimensions in mm		Simplified representation with dimensions without tolerance		
Original Size A4		RSHF 16		Scale 1:1
Date 28/04/21		SQUICH female insert, spring, 16P 16A 500V - HNM		
Sign. S. Diasparra				

