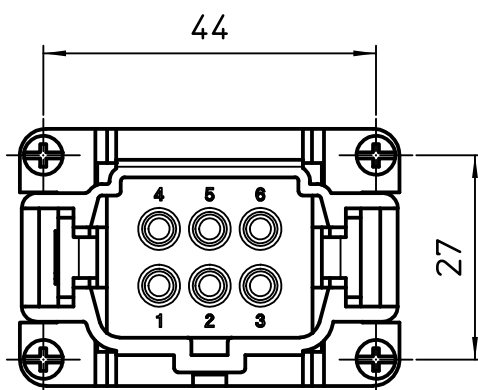
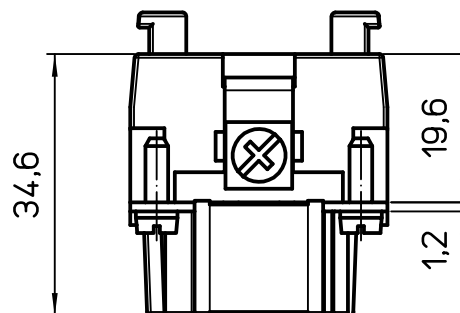
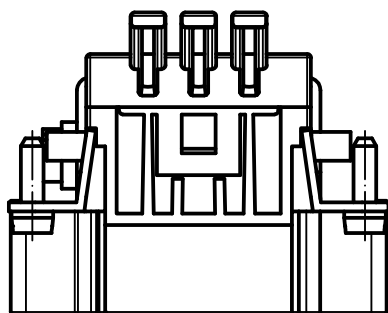


A



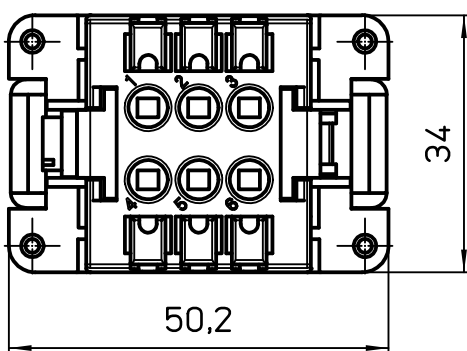
A

B





B

C



C

Diritti riservati All rights reserved

REV.	DATE	SIGNATURE		
 Dimensions in mm		Simplified representation with dimensions without tolerance		
Original Size A4		RSHM 06	Scale	
Date 28/04/21		SQUICH male insert, spring, 6P 16A 500V - HNM	1:1	
Sign. S. Diasparra				