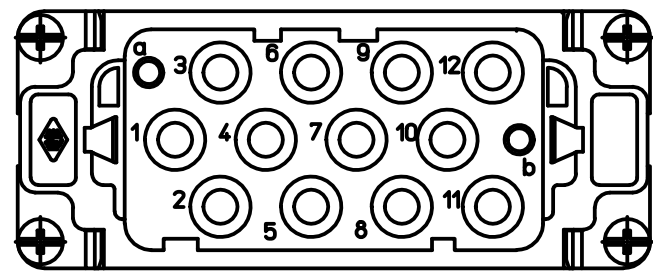
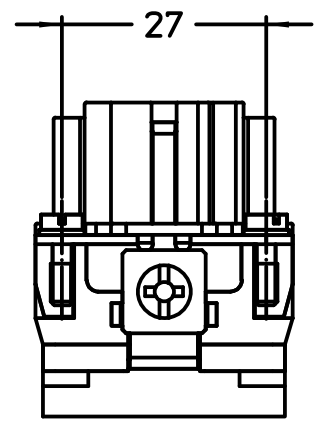
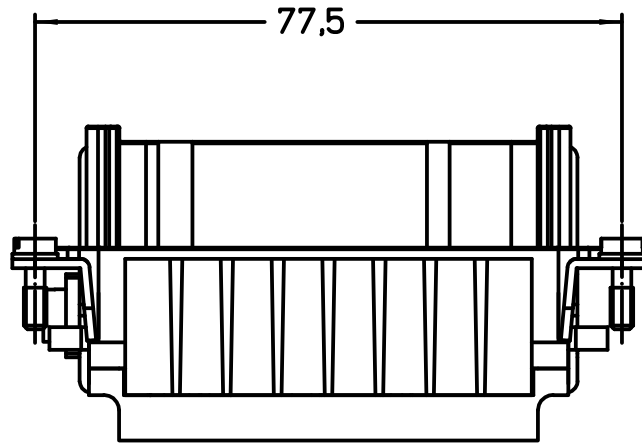


Diritti riservati All rights reserved



dimensions in mm	RXF 12-2		Scale
Date 21/03/19	Female insert, crimp, 12P 40A HNM+2P 10A HNM		1:1
Sign. Pitasi			