



EURO 6



Article: **43401 N**

Feed-through terminal block - Yellow
Screw connection - 6mm² / 8AWG - Width 7 mm



GENERAL DATA

Series	EURO 6
Item	43401 N
Weight/Piece	13,6 g
Customs tariff	85369010
Page/Catalog	41 / 01
Colour	Yellow
Q.ty p.pck.	50
Q.ty p. box	1.000

TECHNICAL DATA / DIMENSIONS

Dimensions

Width mm(in.)	7 (0.28)
Length mm(in.)	50 (1.97)
Height mm(in.)	44 (1.73)
Mounting type (EN 60715)	Omega TH35

Technical data

Maximum load current	50A
Insulating material	PA
Self-extinguishing degree acc. to UL94	V2
Rated surge voltage	8kV
Pollution degree	3
Surge voltage category	III
Insulating material group	I
Nominal Voltage	1000V
Nominal Current	41A

Connection data

Conductor cross-section solid min/max	0.50 / 10 mm ²
Conductor cross-section stranded min/max	0.50 / 6 mm ²
AWG min/max	22-8AWG
Max conductor cross-section stranded with ferrule with plastic sleeve DIN 46228/4	6 mm ² / L=18



Stripping length	max 12 mm / 0.475in
Screw	M3,5
Tightening torque	0,8Nm / 10 Lb-In

APPROVALS



RINA

EN60947-7-1

6mm² – 1000V – 41A

EN60068-2-11

Salt mist test for 96 hours

ENEL DV27

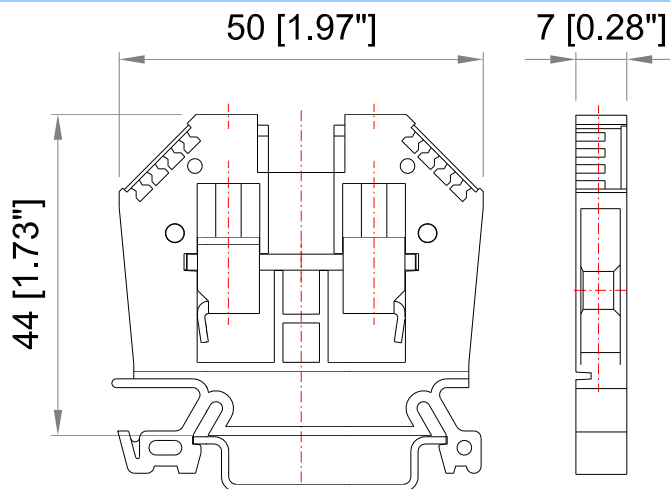
UL1059
E203985

C22.2 NO 158-10

SCCR 100kA

AWG 22-8 – 600V – 50A

TECHNICAL DRAWINGS



43401

ACCESSORIES

Marking

Item	Description
43059	Single-digit marking tag (5 x 3 mm) - white
43060/0 ÷ 43060/9	Single-digit marking tag (5 x 3 mm) – with marking: 0 ÷ 9
43060/A ÷ 43060/Z	Single-digit marking tag (5 x 3 mm) – with marking: A ÷ Z



Marking

Item	Description
43094	Marking tag adapter – 6 slots for marking tags
43192	Marking tags (5 x 12 mm) - white (special marking on request)
43196	Marking tags (6 x 12 mm) - white (special marking on request)
438MFC0612TB	Tags 6x12 for MI and 438MWK0512TBA (39tags x 20cards)
438MWK0512TBA	Tag adapter for: MI-EURO/Weid-WDU-ZDU/Klemsan -1box=250

DIN RAIL system - Mounting and Installation material

Item	Description
43910	Steel Omega rail 35/7,5mm - 2mt length
43910/F	Slotted steel Omega rail 35/7,5mm - 2mt length
43911	Steel Omega rail 35/15mm - 2mt length
43911/F	Slotted steel Omega rail 35/15mm - 2mt length
43028	Angled support bracket
43442	EURO STOP - End bracket width 9
43444	EURO STOP - End bracket width 6
43447	EURO STOP - Snap-on end bracket width 6
43449	EURO STOP - End bracket cover profile carrier
43449-C	EURO STOP - Cover profile - Length 100cm

Additional items

Item	Description
43011	End plate
43016	Separator
43031	Cover for EURO 6 - 10
43621/02	Insulated 2 poles screw-jumper -pitch 7,1mm -6mm ² 1bag=50pcs
43621/03	Insulated 3 poles screw-jumper -pitch 7,1mm -6mm ² 1bag=50pcs
43621/24	Insulated 24 poles screw-jumper-pitch 7,1mm-6mm ² -(1box=5pcs) - (5_jumpers + 120_screws + 10_insulating body)
43926 R	Red test plug adapter
43926 S	Black test plug adapter