



EURO 10

Article: **43402 E**

Feed-through terminal block – Yellowgreen
Screw connection - 10mm² / 6AWG - Width 9 mm



GENERAL DATA

Series	EURO 10
Item	43402 E
Weight/Piece	18,8 g
Customs tariff	85369010
Page/Catalog	42 / 01
Colour	Yellowgreen
Q.ty p.pck.	50
Q.ty p. box	1000

TECHNICAL DATA / DIMENSIONS

Dimensions

Width mm(in.)	9 (0.35)
Length mm(in.)	50 (1.97)
Height mm(in.)	44 (1.73)
Mounting type (EN 60715)	Omega TH35

Technical data

Maximum load current	65A
Insulating material	PA
Self-extinguishing degree acc. to UL94	V2
Rated surge voltage	8kV
Pollution degree	3
Surge voltage category	III
Insulating material group	I
Nominal Voltage	1000V
Nominal Current	57A

Connection data

Conductor cross-section solid min/max	1.50 / 16 mm ²
Conductor cross-section stranded min/max	1.50 / 10 mm ²
AWG min/max	20-6AWG
Max conductor cross-section stranded with ferrule with plastic sleeve DIN 46228/4	10 mm ² / L=18 mm



Stripping length	max 12 mm / 0.475in
Screw	M4
Tightening torque	1.2Nm / 20 Lb-In

APPROVALS



RINA

EN60947-7-1

10mm² – 1000V – 57A

EN60068-2-11

Salt mist test for 96 hours

ENEL DV27

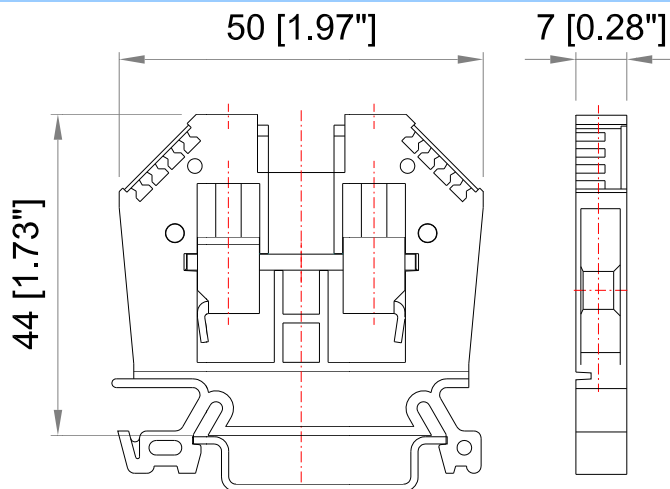
UL1059
E203985

C22.2 NO 158-10

SCCR 100kA

AWG 20-6 – 600V – 65A

TECHNICAL DRAWINGS



43401

ACCESSORIES

Marking

Item	Description
43059	Single-digit marking tag (5 x 3 mm) - white
43060/0 ÷ 43060/9	Single-digit marking tag (5 x 3 mm) – with marking: 0 ÷ 9
43060/A ÷ 43060/Z	Single-digit marking tag (5 x 3 mm) – with marking: A ÷ Z



Marking

Item	Description
43094	Marking tag adapter – 6 slots for marking tags
43192	Marking tags (5 x 12 mm) - white (special marking on request)
43196	Marking tags (6 x 12 mm) - white (special marking on request)
438MFC0612TB	Tags 6x12 for MI and 438MVK0512TBA (39tags x 20cards)
438MVK0512TBA	Tag adapter for: MI-EURO/Weid-WDU-ZDU/Klemsan -1box=250

DIN RAIL system - Mounting and Installation material

Item	Description
43910	Steel Omega rail 35/7,5mm - 2mt length
43910/F	Slotted steel Omega rail 35/7,5mm - 2mt length
43911	Steel Omega rail 35/15mm - 2mt length
43911/F	Slotted steel Omega rail 35/15mm - 2mt length
43028	Angled support bracket
43442	EURO STOP - End bracket width 9
43444	EURO STOP - End bracket width 6
43447	EURO STOP - Snap-on end bracket width 6
43449	EURO STOP - End bracket cover profile carrier
43449-C	EURO STOP - Cover profile - Length 100cm

Additional items

Item	Description
43011	End plate
43016	Separator
43031	Cover for EURO 6 - 10
43022/02S	Jumper bar (2 poles+200screws 43042) for EURO 10, 100pcs
43022/03S	Jumper bar (3 poles+300screw 43042s) for EURO 10, 100pcs
43022/04S	Jumper bar (4 poles+400screws 43042) for EURO 10, 100pcs
43022/0.5MS	Jumper bar (0,5m+55screws 43042) for EURO 10
43926 R	Red test plug adapter
43926 S	Black test plug adapter