



# EURO 16-25



Article: **43403 E**

Feed-through terminal block - Yellowgreen  
 Screw connection - 25mm<sup>2</sup> / 4AWG - Width 12 mm



## GENERAL DATA

Series	<b>EURO 16-25</b>
Item	<b>43403 E</b>
Weight/Piece	<b>29.4 g</b>
Customs tariff	<b>85369010</b>
Page/Catalog	<b>43 / 01</b>
Colour	<b>Yellowgreen</b>
Q.ty p.pck.	<b>25</b>
Q.ty p. box	<b>500</b>

## TECHNICAL DATA / DIMENSIONS

### Dimensions

Width mm(in.)	12 (0.46)
Length mm(in.)	56 (2.2)
Height mm(in.)	49 (1.93)
Mounting type (EN 60715)	Omega TH35

### Technical data

Maximum load current	101A
Insulating material	PA
Self-extinguishing degree acc. to UL94	V2
Rated surge voltage	8kV
Pollution degree	3
Surge voltage category	III
Insulating material group	I
Nominal Voltage	1000V
Nominal Current	101A

### Connection data

Conductor cross-section solid min/max	1.50 / 25 mm <sup>2</sup>
Conductor cross-section stranded min/max	1.50 / 16 mm <sup>2</sup>
AWG min/max	14-4AWG
Max conductor cross-section stranded with ferrule with plastic sleeve DIN 46228/4	25 mm <sup>2</sup> / L=18 mm



Stripping length	max 12mm / 0.475in
Screw	M5
Tightening torque	2.0Nm / 30 Lb-In

## APPROVALS



RINA

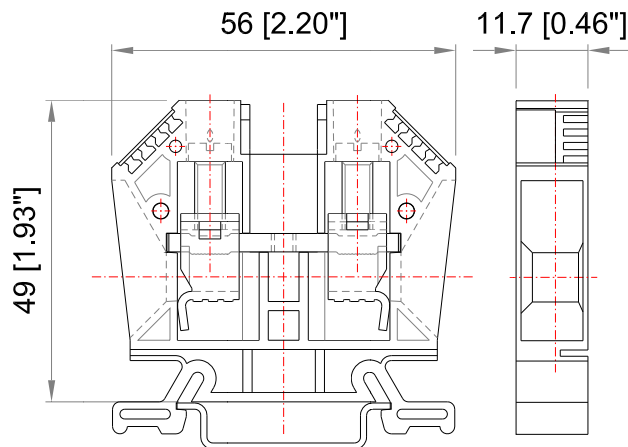
**EN60947-7-1**25mm<sup>2</sup> – 1000V – 101A**EN60068-2-11**

Salt mist test for 96 hours

**ENEL DV27****UL1059**  
E203985**C22.2 NO 158-10****SCCR** 100kA

AWG 14-4 – 600V – 85A

## TECHNICAL DRAWINGS



## ACCESSORIES

### Marking

Item	Description
<b>43059</b>	Single-digit marking tag (5 x 3 mm) - white
<b>43060/0 ÷</b> <b>43060/9</b>	Single-digit marking tag (5 x 3 mm) – with marking: 0 ÷ 9
<b>43060/A ÷</b> <b>43060/Z</b>	Single-digit marking tag (5 x 3 mm) – with marking: A ÷ Z



### Marking

Item	Description
<b>43094</b>	Marking tag adapter – 6 slots for marking tags
<b>43192</b>	Marking tags (5 x 12 mm) - white (special marking on request)
<b>43196</b>	Marking tags (6 x 12 mm) - white (special marking on request)
<b>438MFC0612TB</b>	Tags 6x12 for MI and 438MWK0512TBA (39tags x 20cards)
<b>438MWK0512TBA</b>	Tag adapter for: MI-EURO/Weid-WDU-ZDU/Klemsan -1box=250

### DIN RAIL system - Mounting and Installation material

Item	Description
<b>43910</b>	Steel Omega rail 35/7,5mm - 2mt length
<b>43910/F</b>	Slotted steel Omega rail 35/7,5mm - 2mt length
<b>43911</b>	Steel Omega rail 35/15mm - 2mt length
<b>43911/F</b>	Slotted steel Omega rail 35/15mm - 2mt length
<b>43028</b>	Angled support bracket
<b>43442</b>	EURO STOP - End bracket width 9
<b>43444</b>	EURO STOP - End bracket width 6
<b>43447</b>	EURO STOP - Snap-on end bracket width 6
<b>43449</b>	EURO STOP - End bracket cover profile carrier
<b>43449-C</b>	EURO STOP - Cover profile - Length 100cm

### Additional items

Item	Description
<b>43013</b>	End plate
<b>43033</b>	Cover for EURO 16-25
<b>43023/02S</b>	Jumper bar (2 poles+100screws 43043) for EURO 16-25, 50pcs
<b>43023/03S</b>	Jumper bar (3 poles+150screws 43043) for EURO 16-25, 50pcs
<b>43023/04S</b>	Jumper bar (4 poles+200screws 43043) for EURO 16-25, 50pcs
<b>43023/0.5MS</b>	Jumper bar (0,5m+42screws 43043) for EURO 16-25