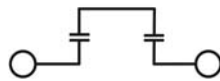




EURO S4-LH

Article: **43446 H**

Disconnecter Terminal Block, Copper bar $\varnothing=5 \times 20 \text{ mm}$ - Grey
 Screw connection - $4 \text{ mm}^2 / 10 \text{ AWG}$ - Width 10 mm



DO NOT DISCONNECT UNDER LOAD

GENERAL DATA

Series	EURO S4-LH
Item	43446 H
Weight/Piece	22.6 g
Customs tariff	85369010
Page/Catalog	74 / 01
Colour	Grey
Q.ty p.pck.	50
Q.ty p. box	-

TECHNICAL DATA / DIMENSIONS

Dimensions

Width mm(in.)	10 (0.39)
Length mm(in.)	66 (2.6)
Height mm(in.)	44 (1.73)
Mounting type (EN 60715)	Omega TH35

Technical data

Maximum load current	30A
Insulating material	PA
Self-extinguishing degree acc. to UL94	V0
Pollution degree	3
Surge voltage category	III
Insulating material group	I
Nominal Voltage	500V
Nominal Current	30A
Disconnecting bar	Cu – $\varnothing 5 \times 20 \text{ mm}$

Connection data

Conductor cross-section solid min/max	0.50 / 6 mm^2
Conductor cross-section stranded min/max	0.50 / 4 mm^2
AWG min/max	24-10AWG
Max conductor cross-section stranded with ferrule with plastic sleeve DIN 46228/4	$4 \text{ mm}^2 / L=12 \text{ mm}$



Stripping length	max 10 mm
Screw	M3
Tightening torque	0,6Nm / 7 Lb-In

APPROVALS

RINA
EN60947-7-1 4mm² – 500V – 30A

EN60068-2-11 Salt mist test for 96 hours

ENEL DV27

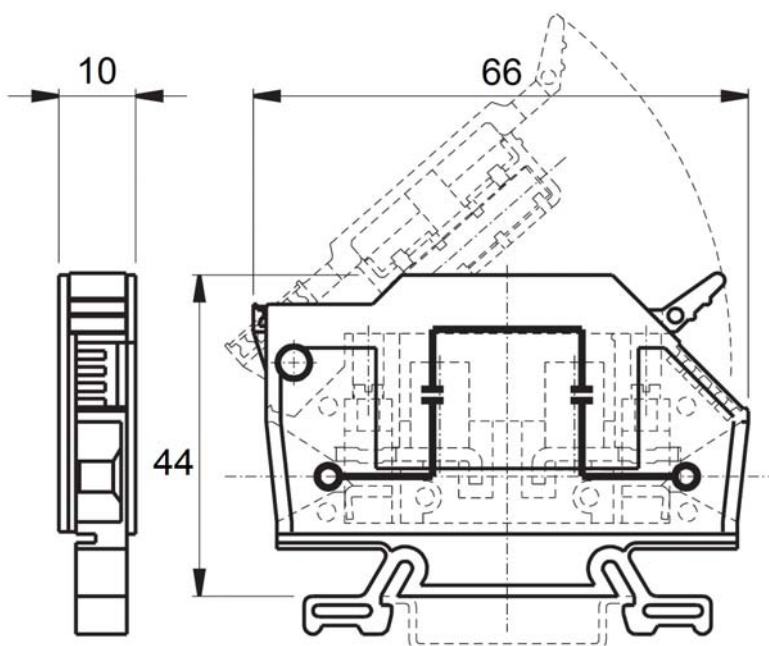


AWG 24-10 – 300V – 15A



AWG 24-10 – 300V – 30A

TECHNICAL DRAWINGS





ACCESSORIES

Marking

Item	Description
43059	Single-digit marking tag (5 x 3 mm) - white
43060/0 ÷ 43060/9	Single-digit marking tag (5 x 3 mm) – with marking: 0 ÷ 9
43060/A ÷ 43060/Z	Single-digit marking tag (5 x 3 mm) – with marking: A ÷ Z
43094	Marking tag adapter – 6 slots for marking tags
43192	Marking tags (5 x 12 mm) - white (<i>special marking on request</i>)
438MFC0612TB	Tags 6x12 for MI and 438MWK0512TBA (39tags x 20cards)
438MWK0512TBA	Tag adapter for: MI-EURO/Weid-WDU-ZDU/Klemsan -1box=250

DIN RAIL system - Mounting and Installation material

Item	Description
43910	Steel Omega rail 35/7,5mm - 2mt length
43910/F	Slotted steel Omega rail 35/7,5mm - 2mt length
43911	Steel Omega rail 35/15mm - 2mt length
43911/F	Slotted steel Omega rail 35/15mm - 2mt length
43028	Angled support bracket
43442	EURO STOP - End bracket width 9
43444	EURO STOP - End bracket width 6
43447	EURO STOP - Snap-on end bracket width 6
43448	EURO STOP – Supporto Cartellino per Guida DIN TH35 o TH15
43449	EURO STOP - End bracket cover profile carrier
43449-C	EURO STOP - Cover profile - Length 100cm

Additional items

Item	Description
43432	Separator
43097	Disconnecting bar Ø=5x20mm