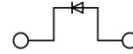




EURO S4-LH



Article: **43463 H**

Diode Terminal Block – Grey
 Diodo BY 5A 800V
 Screw connection - 4mm² / 10AWG - Width 10 mm



GENERAL DATA

Series	EURO S4-LH
Item	43463 H
Weight/Piece	17 g
Customs tariff	85369010
Catalog	01
Colour	Grey
Q.ty p.pck.	50
Q.ty p. box	-

TECHNICAL DATA / DIMENSIONS

Dimensions

Width mm	10
Length mm	66
Height mm	44
Mounting type (EN 60715)	Omega TH35

Technical data

Maximum load current	30A
Insulating material	PA
Self-extinguishing degree acc. to UL94	V2
Pollution degree	3
Surge voltage category	III
Insulating material group	I
Nominal Voltage	500V (*)
Diode	BY 5A 800V
Nominal Current	30A (*)
Temperature index, insulating material – Elec. UL 746 B - RTI	130°C
Static insulating material lower permissible temperature	-60°C

(*) *The current and voltage are determined by the used component*

Connection data

Conductor cross-section solid min/max	0.50 / 6 mm ²
Conductor cross-section stranded min/max	0.50 / 4 mm ²



AWG min/max	24-10AWG
Max conductor cross-section stranded with ferrule with plastic sleeve DIN 46228/4	4 mm ² / L=12 mm
Stripping length	max 10 mm
Screw	M3 – Zinc plated steel
Tightening torque	0,6Nm / 7 Lb-In
Clamp	Zinc plated steel
Current bar	Tin Plated copper alloy

APPROVALS

EN60947-7-1 4mm² – 500V – 30A

EN60068-2-11 Salt mist test for 96 hours

ENEL DV27

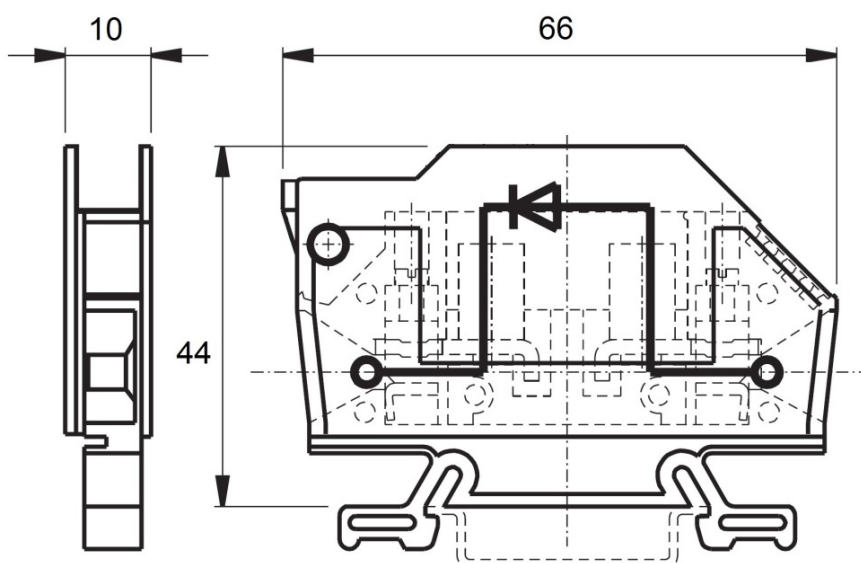


AWG 24-10 – 300V – 15A



AWG 24-10 – 300V – 30A

TECHNICAL DRAWINGS





ACCESSORIES

Marking

Item	Description
43059	Single-digit marking tag (5 x 3 mm) - white
43060/0 ÷ 43060/9	Single-digit marking tag (5 x 3 mm) – with marking: 0 ÷ 9
43060/A ÷ 43060/Z	Single-digit marking tag (5 x 3 mm) – with marking: A ÷ Z
43094	Marking tag adapter – 6 slots for marking tags
43192	Marking tags (5 x 12 mm) - white (<i>special marking on request</i>)
438MFC0612TB	Tags 6x12 for MI and 438MWK0512TBA (39tags x 20cards)
438MWK0512TBA	Tag adapter for: MI-EURO/Weid-WDU-ZDU/Klemsan -1box=250

DIN RAIL system - Mounting and Installation material

Item	Description
43910	Steel Omega rail 35/7,5mm - 2mt length
43910/F	Slotted steel Omega rail 35/7,5mm - 2mt length
43911	Steel Omega rail 35/15mm - 2mt length
43911/F	Slotted steel Omega rail 35/15mm - 2mt length
43028	Angled support bracket
43442	EURO STOP - End bracket width 9
43444	EURO STOP - End bracket width 6
43447	EURO STOP - Snap-on end bracket width 6
43448	Tag Carrier for TH35 or TH15 DinRail
43449	EURO STOP – End bracket cover profile carrier
43449-C	EURO STOP – Cover profile L=100 cm

Additional items

Item	Description
43432	Separator