



EURO W2.5

Article: **43504**



Three stage Feed-through terminal block - Gray
 Screw connection - 2.5mm² / 14AWG - Width 5mm



GENERAL DATA

Series	EURO W2.5
Item	43504
Weight/Piece	17,6 g
Customs tariff	85369010
Page/Catalog	60 / 01
Colour	Gray
Q.ty p.pck.	25
Q.ty p. box	-

TECHNICAL DATA / DIMENSIONS

Dimensions

Width mm	5
Length mm	78,5
Height mm	47,5
Mounting type (EN 60715)	Omega TH35

Technical data

Maximum load current	24A
Insulating material	PA 66
Self-extinguishing degree acc. to UL94	V0
Rated surge voltage	6kV
Pollution degree	3
Surge voltage category	III
Insulating material group	I
Nominal Voltage	250V
Nominal Current	24A
Temperature index, insulating material – Elec. UL 746 B - RTI	130°C
Static insulating material lower permissible temperature	-60°C

Connection data

Conductor cross-section solid min/max	0.50 / 2,5 mm ²
Conductor cross-section stranded min/max	0.50 / 2,5 mm ²



AWG min/max	26-14AWG
Max conductor cross-section stranded with ferrule with plastic sleeve	2.5 mm ² / L=8 mm
Stripping length	max 6 mm
Screw	M2.5 – Zinc plated steel
Tightening torque	0,5Nm / 4.5 Lb-In
Clamp	Tin Plated copper alloy
Current bar	Tin Plated copper alloy

APPROVALS



EN60947-7-1

2.5mm² – 250V – 24A

EN60068-2-11

Salt mist test for 96 hours

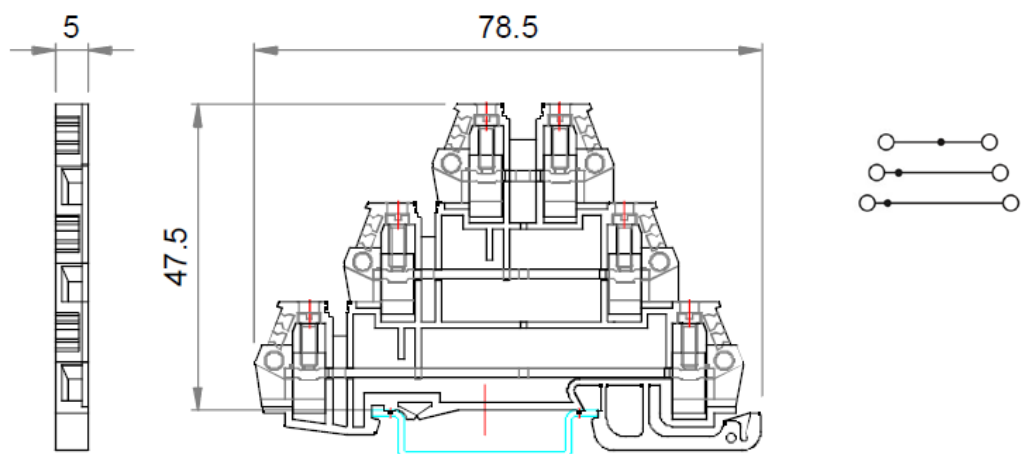


UL1059

AWG 26-14 – 300V – 10A



TECHNICAL DRAWINGS





ACCESSORIES

Marking

Item	Description
43059	Single-digit marking tag (5 x 3 mm) - white
43060/0 ÷ 43060/9	Single-digit marking tag (5 x 3 mm) – with marking: 0 ÷ 9
43060/A ÷ 43060/Z	Single-digit marking tag (5 x 3 mm) – with marking: A ÷ Z
43540	Marking tags (5 x 5.8 mm) - white (<i>special marking on request</i>)

DIN RAIL system - Mounting and Installation material

Item	Description
43910	Steel Omega rail 35/7,5mm - 2mt length
43910/F	Slotted steel Omega rail 35/7,5mm - 2mt length
43911	Steel Omega rail 35/15mm - 2mt length
43911/F	Slotted steel Omega rail 35/15mm - 2mt length
43028	Angled support bracket
43442	EURO STOP - End bracket width 9
43444	EURO STOP - End bracket width 6
43447	EURO STOP - Snap-on end bracket width 6

Additional items

Item	Description
43542	End plate
43531/02BLS	EURO JW - Jumper bar 2 poles - pitch 5,1mm blue
43531/03BLS	EURO JW - Jumper bar 3 poles - pitch 5,1mm blue
43531/12BLS	EURO JW - Jumper bar 12 poles - pitch 5,1mm blue
43531/02RDS	EURO JW - Jumper bar 2 poles - pitch 5,1mm red
43531/03RDS	EURO JW - Jumper bar 3 poles - pitch 5,1mm red
43531/12RDS	EURO JW - Jumper bar 12 poles - pitch 5,1mm red
43519	Ratchet Cutting Tool for 10134414 Jumpers -blue/red -pitch 5,1mm