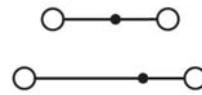




EURO D4-2

Article: **43550 BK**



Two stage Feed-through terminal block - Black
 Screw connection - 4mm² / 10AWG - Width 6 mm



GENERAL DATA

Series	EURO D4-2
Item	43550 BK
Weight/Piece	18 g
Customs tariff	85369010
Page/Catalog	51 / 01
Colour	Black
Q.ty p.pck.	50
Q.ty p. box	1.000

TECHNICAL DATA / DIMENSIONS

Dimensions

Width mm(in.)	6 (0.24)
Length mm(in.)	72 (2.84)
Height mm(in.)	56 (2.20)
Mounting type (EN 60715)	Omega TH35

Technical data

Maximum load current	32A
Insulating material	PA
Self-extinguishing degree acc. to UL94	V0
Rated surge voltage	8kV
Pollution degree	3
Surge voltage category	III
Insulating material group	I
Nominal Voltage	1000V
Nominal Current	32A

Connection data

Conductor cross-section solid min/max	0.50 / 6 mm ²
Conductor cross-section stranded min/max	0.50 / 4 mm ²
AWG min/max	24-10AWG
Max conductor cross-section stranded with ferrule with plastic sleeve	4 mm ² / L=8 mm



Stripping length	max 6 mm
Screw	M3
Tightening torque	0,6Nm / 7. 0 Lb-In

APPROVALS



EN60947-7-1 4mm² – 1000V – 32A

RINA

EN60947-7-1 4mm² – 800V – 32A

EN60068-2-11 Salt mist test for 96 hours

ENEL DV27



UL1059
E203985

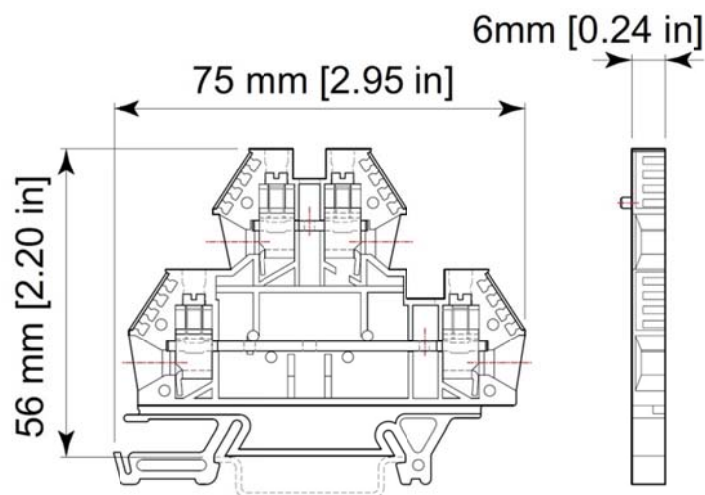


C22.2 NO 158-10

SCCR 100kA

AWG 24-10 – 600V – 30A

TECHNICAL DRAWINGS



ACCESSORIES

Marking

Item	Description
43059	Single-digit marking tag (5 x 3 mm) - white
43060/0 ÷ 43060/9	Single-digit marking tag (5 x 3 mm) – with marking: 0 ÷ 9



43060/A ÷ 43060/Z	Single-digit marking tag (5 x 3 mm) – with marking: A ÷ Z
43094	Marking tag adapter – 6 slots for marking tags
43192	Marking tags (5 x 12 mm) - white (<i>special marking on request</i>)

Marking

Item	Description
43196	Marking tags (6 x 12 mm) - white (<i>special marking on request</i>)
438MFC0612TB	Tags 6x12 for MI and 438MWK0512TBA (39tags x 20cards)
438MFC0612ST	Strip -pitch 6 for: MI EURO – 438MWK0512TBA – 438WLC0512TBA – 438PAC0512TBA
438MWK0512TBA	Tag adapter for: MI-EURO/Weid-WDU-ZDU/Klemsan -1box=250

DIN RAIL system - Mounting and Installation material

Item	Description
43910	Steel Omega rail 35/7,5mm - 2mt length
43910/F	Slotted steel Omega rail 35/7,5mm - 2mt length
43911	Steel Omega rail 35/15mm - 2mt length
43911/F	Slotted steel Omega rail 35/15mm - 2mt length
43028	Angled support bracket
43442	EURO STOP - End bracket width 9
43444	EURO STOP - End bracket width 6
43447	EURO STOP - Snap-on end bracket width 6
43448	EURO STOP – Tag Carrier for TH35 or TH15 DinRail
43449	EURO STOP - End bracket cover profile carrier
43449-C	EURO STOP - Cover profile - Length 100cm

Additional items

Item	Description
43010	End plate
43015	Separator
43030	Cover for EURO 4
43520/02	EURO J4 - Jumper bar 2 poles - pitch 5,1mm
43520/03	EURO J4 - Jumper bar 3 poles - pitch 5,1mm
43520/24	EURO J4 - Jumper bar 24 poles - pitch 5,1mm
43516	Ratchet Cutting Tool for 43520/...Jumpers - yellow - pitch 6,1mm
43926 R	Red test plug adapter
43926 S	Black test plug adapter