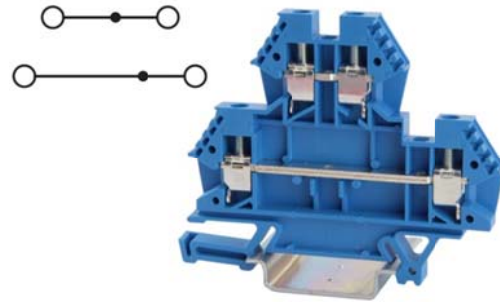




# EURO D4-2

Article: **43550 BL**

Two stage Feed-through terminal block - Blue  
 Screw connection - 4mm<sup>2</sup> / 10AWG - Width 6 mm



## GENERAL DATA

|                |                  |
|----------------|------------------|
| Series         | <b>EURO D4-2</b> |
| Item           | <b>43550 BL</b>  |
| Weight/Piece   | <b>18 g</b>      |
| Customs tariff | <b>85369010</b>  |
| Page/Catalog   | <b>51 / 01</b>   |
| Colour         | <b>Blue</b>      |
| Q.ty p.pck.    | <b>50</b>        |
| Q.ty p. box    | <b>1.000</b>     |

## TECHNICAL DATA / DIMENSIONS

### Dimensions

|                          |            |
|--------------------------|------------|
| Width mm(in.)            | 6 (0.24)   |
| Length mm(in.)           | 72 (2.84)  |
| Height mm(in.)           | 56 (2.20)  |
| Mounting type (EN 60715) | Omega TH35 |

### Technical data

|  |       |
|--|-------|
| Maximum load current                   | 32A   |
| Insulating material                    | PA    |
| Self-extinguishing degree acc. to UL94 | V0    |
| Rated surge voltage                    | 8kV   |
| Pollution degree                       | 3     |
| Surge voltage category                 | III   |
| Insulating material group              | I     |
| Nominal Voltage                        | 1000V |
| Nominal Current                        | 32A   |

### Connection data

|   |                            |
|---|----------------------------|
| Conductor cross-section solid min/max                                 | 0.50 / 6 mm <sup>2</sup>   |
| Conductor cross-section stranded min/max                              | 0.50 / 4 mm <sup>2</sup>   |
| AWG min/max   | 24-10AWG                   |
| Max conductor cross-section stranded with ferrule with plastic sleeve | 4 mm <sup>2</sup> / L=8 mm |



|                   |                    |
|-------------------|--------------------|
| Stripping length  | max 6 mm           |
| Screw             | M3                 |
| Tightening torque | 0,6Nm / 7. 0 Lb-In |

## APPROVALS



**EN60947-7-1** 4mm<sup>2</sup> – 1000V – 32A

**RINA**

**EN60947-7-1** 4mm<sup>2</sup> – 800V – 32A

**EN60068-2-11** Salt mist test for 96 hours

## ENEL DV27



**UL1059**  
E203985

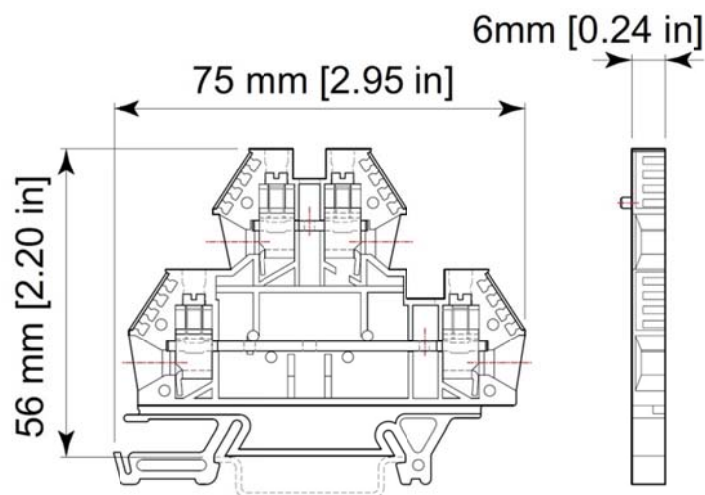


**C22.2 NO 158-10**

**SCCR** 100kA

AWG 24-10 – 600V – 30A

## TECHNICAL DRAWINGS



## ACCESSORIES

### Marking

| Item                     | Description   |
|--------------------------|---|
| <b>43059</b>             | Single-digit marking tag (5 x 3 mm) - white               |
| <b>43060/0 ÷ 43060/9</b> | Single-digit marking tag (5 x 3 mm) – with marking: 0 ÷ 9 |



|                          |  |
|--------------------------|--|
| <b>43060/A ÷ 43060/Z</b> | Single-digit marking tag (5 x 3 mm) – with marking: A ÷ Z              |
| <b>43094</b>             | Marking tag adapter – 6 slots for marking tags                         |
| <b>43192</b>             | Marking tags (5 x 12 mm) - white ( <i>special marking on request</i> ) |

### Marking

| Item                 | Description  |
|----------------------|--|
| <b>43196</b>         | Marking tags (6 x 12 mm) - white ( <i>special marking on request</i> )         |
| <b>438MFC0612TB</b>  | Tags 6x12 for MI and 438MWK0512TBA (39tags x 20cards)                          |
| <b>438MFC0612ST</b>  | Strip -pitch 6 for: MI EURO –<br>438MWK0512TBA – 438WLC0512TBA – 438PAC0512TBA |
| <b>438MWK0512TBA</b> | Tag adapter for: MI-EURO/Weid-WDU-ZDU/Klemsan -1box=250                        |

### DIN RAIL system - Mounting and Installation material

| Item           | Description                                      |
|----------------|--|
| <b>43910</b>   | Steel Omega rail 35/7,5mm - 2mt length           |
| <b>43910/F</b> | Slotted steel Omega rail 35/7,5mm - 2mt length   |
| <b>43911</b>   | Steel Omega rail 35/15mm - 2mt length            |
| <b>43911/F</b> | Slotted steel Omega rail 35/15mm - 2mt length    |
| <b>43028</b>   | Angled support bracket                           |
| <b>43442</b>   | EURO STOP - End bracket width 9                  |
| <b>43444</b>   | EURO STOP - End bracket width 6                  |
| <b>43447</b>   | EURO STOP - Snap-on end bracket width 6          |
| <b>43448</b>   | EURO STOP – Tag Carrier for TH35 or TH15 DinRail |
| <b>43449</b>   | EURO STOP - End bracket cover profile carrier    |
| <b>43449-C</b> | EURO STOP - Cover profile - Length 100cm         |

### Additional items

| Item            | Description  |
|-----------------|--|
| <b>43010</b>    | End plate  |
| <b>43015</b>    | Separator  |
| <b>43030</b>    | Cover for EURO 4   |
| <b>43520/02</b> | EURO J4 - Jumper bar 2 poles - pitch 5,1mm                       |
| <b>43520/03</b> | EURO J4 - Jumper bar 3 poles - pitch 5,1mm                       |
| <b>43520/24</b> | EURO J4 - Jumper bar 24 poles - pitch 5,1mm                      |
| <b>43516</b>    | Ratchet Cutting Tool for 43520/...Jumpers - yellow - pitch 6,1mm |
| <b>43926 R</b>  | Red test plug adapter  |
| <b>43926 S</b>  | Black test plug adapter  |