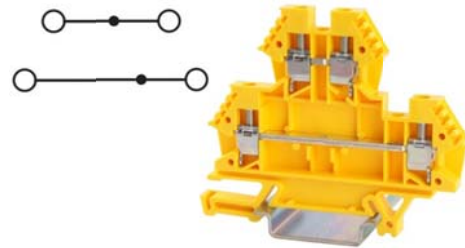




# EURO D4-2

Article: **43550 N**

Two stage Feed-through terminal block - Yellow  
 Screw connection - 4mm<sup>2</sup> / 10AWG - Width 6 mm



## GENERAL DATA

Series	<b>EURO D4-2</b>
Item	<b>43550 N</b>
Weight/Piece	<b>18 g</b>
Customs tariff	<b>85369010</b>
Page/Catalog	<b>51 / 01</b>
Colour	<b>Yellow</b>
Q.ty p.pck.	<b>50</b>
Q.ty p. box	<b>1.000</b>

## TECHNICAL DATA / DIMENSIONS

### Dimensions

Width mm(in.)	6 (0.24)
Length mm(in.)	72 (2.84)
Height mm(in.)	56 (2.20)
Mounting type (EN 60715)	Omega TH35

### Technical data

Maximum load current	32A
Insulating material	PA
Self-extinguishing degree acc. to UL94	V0
Rated surge voltage	8kV
Pollution degree	3
Surge voltage category	III
Insulating material group	I
Nominal Voltage	1000V
Nominal Current	32A

### Connection data

Conductor cross-section solid min/max	0.50 / 6 mm <sup>2</sup>
Conductor cross-section stranded min/max	0.50 / 4 mm <sup>2</sup>
AWG min/max	24-10AWG
Max conductor cross-section stranded with ferrule with plastic sleeve	4 mm <sup>2</sup> / L=8 mm



Stripping length	max 6 mm
Screw	M3
Tightening torque	0,6Nm / 7. 0 Lb-In

## APPROVALS



**EN60947-7-1** 4mm<sup>2</sup> – 1000V – 32A

**RINA** **EN60947-7-1** 4mm<sup>2</sup> – 800V – 32A

**EN60068-2-11** Salt mist test for 96 hours

## ENEL DV27



**UL1059**  
E203985

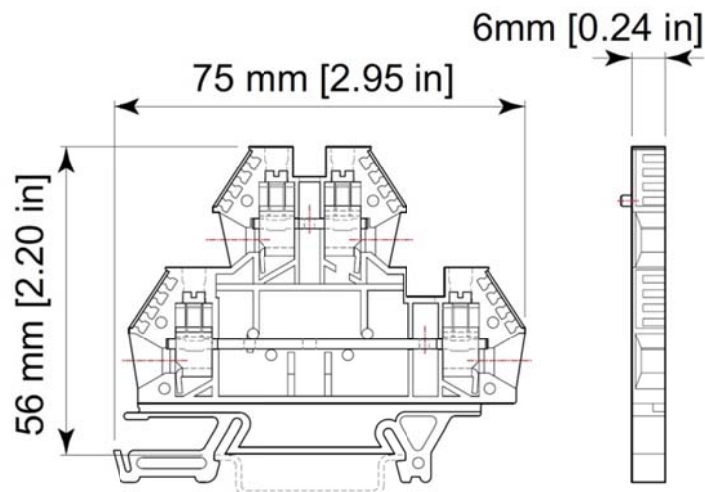


**C22.2 NO 158-10**

**SCCR** 100kA

AWG 24-10 – 600V – 30A

## TECHNICAL DRAWINGS



## ACCESSORIES

### Marking

Item	Description
<b>43059</b>	Single-digit marking tag (5 x 3 mm) - white
<b>43060/0 ÷ 43060/9</b>	Single-digit marking tag (5 x 3 mm) – with marking: 0 ÷ 9
<b>43060/A ÷ 43060/Z</b>	Single-digit marking tag (5 x 3 mm) – with marking: A ÷ Z
<b>43094</b>	Marking tag adapter – 6 slots for marking tags



<b>43192</b>	Marking tags (5 x 12 mm) - white ( <i>special marking on request</i> )
--------------	--

### Marking

Item	Description
<b>43196</b>	Marking tags (6 x 12 mm) - white ( <i>special marking on request</i> )
<b>438MFC0612TB</b>	Tags 6x12 for MI and 438MWK0512TBA (39tags x 20cards)
<b>438MFC0612ST</b>	Strip -pitch 6 for: MI EURO – 438MWK0512TBA – 438WLC0512TBA – 438PAC0512TBA
<b>438MWK0512TBA</b>	Tag adapter for: MI-EURO/Weid-WDU-ZDU/Klemsan -1box=250

### DIN RAIL system - Mounting and Installation material

Item	Description
<b>43910</b>	Steel Omega rail 35/7,5mm - 2mt length
<b>43910/F</b>	Slotted steel Omega rail 35/7,5mm - 2mt length
<b>43911</b>	Steel Omega rail 35/15mm - 2mt length
<b>43911/F</b>	Slotted steel Omega rail 35/15mm - 2mt length
<b>43028</b>	Angled support bracket
<b>43442</b>	EURO STOP - End bracket width 9
<b>43444</b>	EURO STOP - End bracket width 6
<b>43447</b>	EURO STOP - Snap-on end bracket width 6
<b>43448</b>	EURO STOP – Tag Carrier for TH35 or TH15 DinRail
<b>43449</b>	EURO STOP - End bracket cover profile carrier
<b>43449-C</b>	EURO STOP - Cover profile - Length 100cm

### Additional items

Item	Description
<b>43010</b>	End plate
<b>43015</b>	Separator
<b>43030</b>	Cover for EURO 4
<b>43520/02</b>	EURO J4 - Jumper bar 2 poles - pitch 5,1mm
<b>43520/03</b>	EURO J4 - Jumper bar 3 poles - pitch 5,1mm
<b>43520/24</b>	EURO J4 - Jumper bar 24 poles - pitch 5,1mm
<b>43516</b>	Ratchet Cutting Tool for 43520/..Jumpers - yellow - pitch 6,1mm
<b>43926 R</b>	Red test plug adapter
<b>43926 S</b>	Black test plug adapter