

EURO PRO 150

Article: **606150 E**

Universal terminal blocks for **Cu/Al** conductors
 Feed-through terminal block – yellowgreen
 Screw connection system - 1xAl/Cu 25/150mm²
 The conductive parts are made of tin-plated aluminium.



GENERAL INFORMATION

Series	EURO PRO
Item	606150 E
Weight/Piece	100 g
Customs tariff	85369010
Page/Catalog	- / -
Colour	yellowgreen
Q.ty p.pck.	10
Q.ty p. box	-

TECHNICAL DATA / DIMENSIONS

Dimensions

Width mm(in.)	31 (12.21)
Length mm(in.)	84 (33.1)
Length (L1) mm(in.)	72 (28.37)
Height mm(in.)	54 (21.28)
Height (H1) mm(in.)	5 (1.97)
Mounting type	Omega TH35

Technical data

Protection degree (IP)	IP00
Insulating material	PA
Nominal Voltage	690V
Nominal Current	320A

Connection data

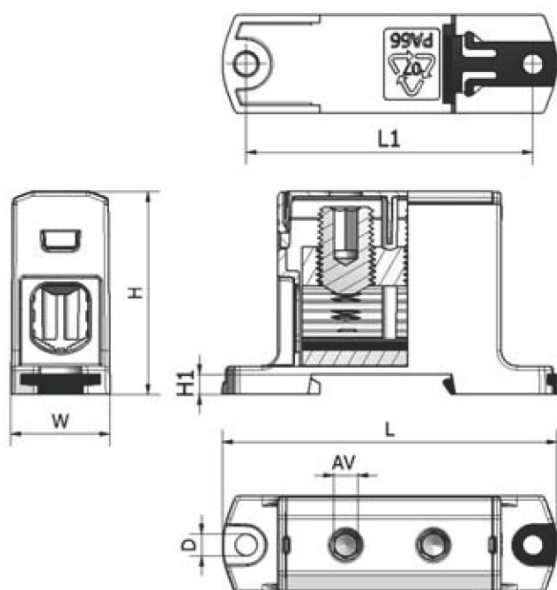
Conductor cross-section solid min/max	25 / 150 mm ²
Conductor cross-section stranded min/max	25 / 150 mm ²
Stripping length	max 20 mm / 0.35in
Screw	screw without head recessed Allen (AV) 5mm
Tightening torque	14Nm / 25-50mm ² – 25Nm / 50-120mm ² 30Nm / 70-150mm ²

APPROVALS

EN60947-7-1 150mm² – 690V – 320A



TECHNICAL DRAWINGS



ACCESSORIES

Terminal rail systems

Item	Description
43910	Steel Omega rail 35/7,5mm - 2mt length
43910/F	Slotted steel Omega rail 35/7,5mm - 2mt length
43911	Steel Omega rail 35/15mm - 2mt length
43911/F	Slotted steel Omega rail 35/15mm - 2mt length
43028	Angled support bracket

Additional items

Item	Description
606150	Universal terminal blocks for Cu/Al conductors Feed-through terminal block – Grey
606150 BL	Universal terminal blocks for Cu/Al conductors Feed-through terminal block – Blue