

# EURO PRO 50

Article: **607050 E**

Universal terminal blocks for **Cu/Al** conductors  
 Feed-through terminal block – yellowgreen  
 Screw connection system - 2xAl/Cu 1,5/50mm<sup>2</sup>  
 The conductive parts are made of tin-plated aluminium.



## GENERAL INFORMATION

Series	<b>EURO PRO</b>
Item	<b>607050 E</b>
Weight/Piece	<b>90 g</b>
Customs tariff	<b>85369010</b>
Page/Catalog	<b>- / -</b>
Colour	<b>Yellowgreen</b>
Q.ty p.pck.	<b>15</b>
Q.ty p. box	<b>-</b>

## TECHNICAL DATA / DIMENSIONS

### Dimensions

Width mm(in.)	30 (1.18)
Length mm(in.)	49 (1.93)
Length (L1) mm(in.)	48 (1.89)
Height mm(in.)	43 (1.69)
Height (H1) mm(in.)	5 (0.2)
Mounting type	Omega TH35

### Technical data

Protection degree (IP)	IP00
Insulating material	PA
Nominal Voltage	1000V
Nominal Current	320A

### Connection data

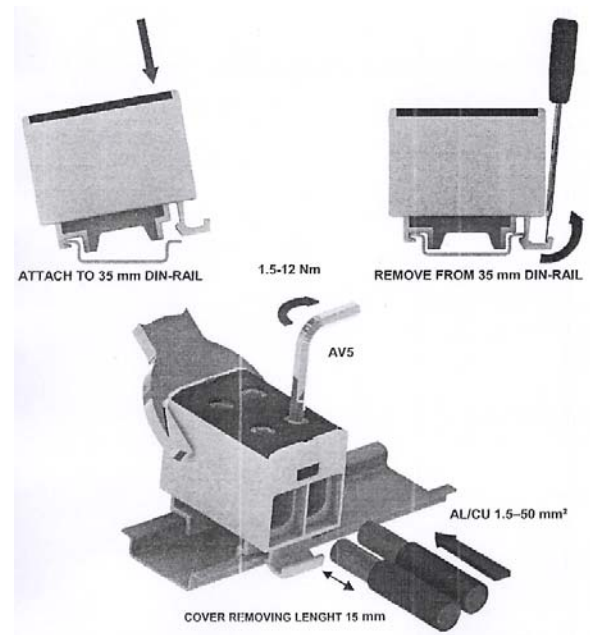
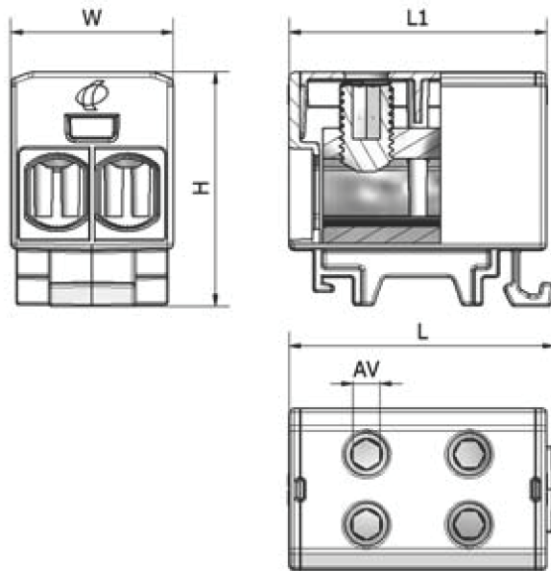
Conductor cross-section solid min/max	2xAl/Cu 1,5 / 50 mm <sup>2</sup>
Conductor cross-section stranded min/max	2xAl/Cu 1,5 / 50 mm <sup>2</sup>
Stripping length	max 15 mm / 0.59in
Screw	screw without head recessed Allen (AV) 5mm
Tightening torque	1,5Nm / 1,5-2,5mm <sup>2</sup> – 5Nm / 4-10mm <sup>2</sup> 12Nm / 16-50mm <sup>2</sup>

## APPROVALS

EN60947-7-1      50mm<sup>2</sup> – 1000V – 320A



## TECHNICAL DRAWINGS



## ACCESSORIES

### Terminal rail systems

Item	Description
<b>43910</b>	Steel Omega rail 35/7,5mm - 2mt length
<b>43910/F</b>	Slotted steel Omega rail 35/7,5mm - 2mt length
<b>43911</b>	Steel Omega rail 35/15mm - 2mt length
<b>43911/F</b>	Slotted steel Omega rail 35/15mm - 2mt length
<b>43028</b>	Angled support bracket

### Additional items

Item	Description
<b>607050</b>	Universal terminal blocks for <b>Cu/Al</b> conductors Feed-through terminal block – Grey
<b>607050 BL</b>	Universal terminal blocks for <b>Cu/Al</b> conductors Feed-through terminal block – Blue