

# EURO PRO 95

Article: **607095 BL**

Universal terminal blocks for **Cu/Al** conductors  
 Feed-through terminal block – blue  
 Screw connection system - 2xAl/Cu 6/95mm<sup>2</sup>  
 The conductive parts are made of tin-plated aluminium.



## GENERAL INFORMATION

Series	<b>EURO PRO</b>
Item	<b>607095 BL</b>
Weight/Piece	<b>125 g</b>
Customs tariff	<b>85369010</b>
Page/Catalog	<b>- / -</b>
Colour	<b>Blue</b>
Q.ty p.pck.	<b>15</b>
Q.ty p. box	<b>-</b>

## TECHNICAL DATA / DIMENSIONS

### Dimensions

Width mm(in.)	42 (1.65)
Length mm(in.)	84 (3.31)
Length (L1) mm(in.)	72 (2.84)
Height mm(in.)	51 (2.01)
Height (H1) mm(in.)	5 (1.97)
Mounting type	Omega TH35

### Technical data

Protection degree (IP)	IP00
Insulating material	PA
Nominal Voltage	690V
Nominal Current	490A

### Connection data

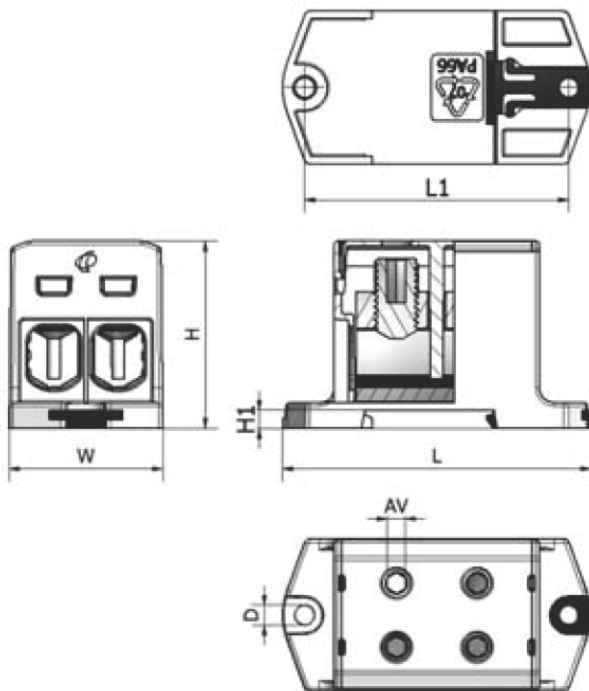
Conductor cross-section solid min/max	2xAl/Cu 6 / 95 mm <sup>2</sup>
Conductor cross-section stranded min/max	2xAl/Cu 6 / 95 mm <sup>2</sup>
Stripping length	max 20 mm / 0.79in
Screw	screw without head recessed Allen (AV) 5mm
Tightening torque	12Nm / 6-25mm <sup>2</sup> 22Nm / 35-95mm <sup>2</sup>

## APPROVALS

EN60947-7-1      95mm<sup>2</sup> – 690V – 490A



## TECHNICAL DRAWINGS



## ACCESSORIES

### Terminal rail systems

Item	Description
<b>43910</b>	Steel Omega rail 35/7,5mm - 2mt lenght
<b>43910/F</b>	Slotted steel Omega rail 35/7,5mm - 2mt lenght
<b>43911</b>	Steel Omega rail 35/15mm - 2mt lenght
<b>43911/F</b>	Slotted steel Omega rail 35/15mm - 2mt lenght
<b>43028</b>	Angled support bracket

### Additional items

Item	Description
<b>607095</b>	Universal terminal blocks for <b>Cu/Al</b> conductors Feed-through terminal block – Grey
<b>607095 E</b>	Universal terminal blocks for <b>Cu/Al</b> conductors Feed-through terminal block – Yellowgreen