

EURO PRO 240

Article: **607240 E**

Universal terminal blocks for **Cu/Al** conductors
 Feed-through terminal block – yellowgreen
 Screw connection system - 2xAl/Cu 35/240mm²
 The conductive parts are made of tin-plated aluminium.



GENERAL INFORMATION

Series	EURO PRO
Item	607240 E
Weight/Piece	340 g
Customs tariff	85369010
Page/Catalog	- / -
Colour	Yellowgreen
Q.ty p.pck.	3
Q.ty p. box	-

TECHNICAL DATA / DIMENSIONS

Dimensions

Width mm(in.)	60 (2.36)
Length mm(in.)	106 (4.18)
Length (L1) mm(in.)	94 (3.7)
Height mm(in.)	65 (2.56)
Height (H1) mm(in.)	5 (0.2)
Mounting type	Omega TH35

Technical data

Protection degree (IP)	IP00
Insulating material	PA
Nominal Voltage	690V
Nominal Current	850A

Connection data

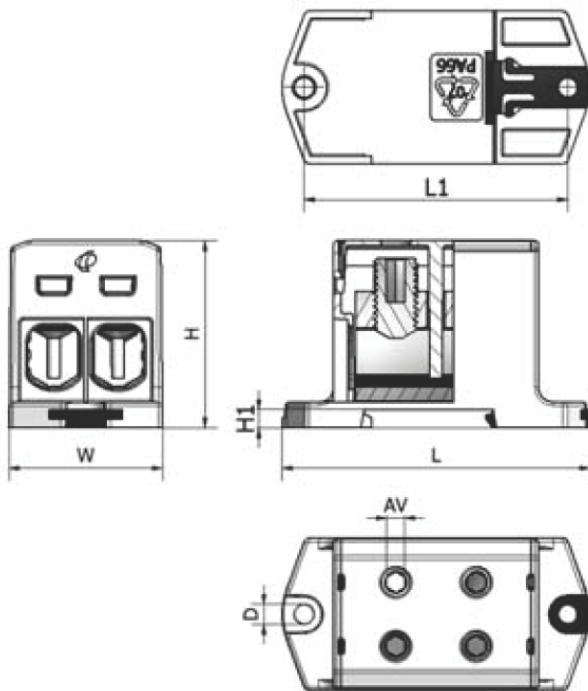
Conductor cross-section solid min/max	2xAl/Cu 35 / 240 mm ²
Conductor cross-section stranded min/max	2xAl/Cu 35 / 240 mm ²
Stripping length	max 30 mm / 1.18in
Screw	screw without head recessed Allen (AV) 6mm
Tightening torque	26Nm / 35-120mm ² 55Nm / 150-240mm ²

APPROVALS

EN60947-7-1 240mm² – 690V – 850A



TECHNICAL DRAWINGS



ACCESSORIES

Terminal rail systems

Item	Description
43910	Steel Omega rail 35/7,5mm - 2mt length
43910/F	Slotted steel Omega rail 35/7,5mm - 2mt length
43911	Steel Omega rail 35/15mm - 2mt length
43911/F	Slotted steel Omega rail 35/15mm - 2mt length
43028	Angled support bracket

Additional items

Item	Description
607240	Universal terminal blocks for Cu/Al conductors Feed-through terminal block – Grey
607240 BL	Universal terminal blocks for Cu/Al conductors Feed-through terminal block – Blue