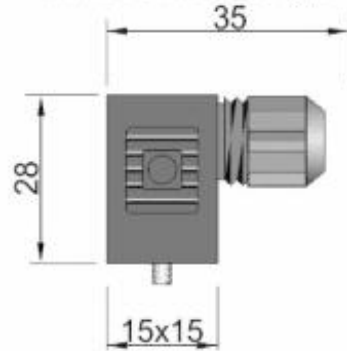


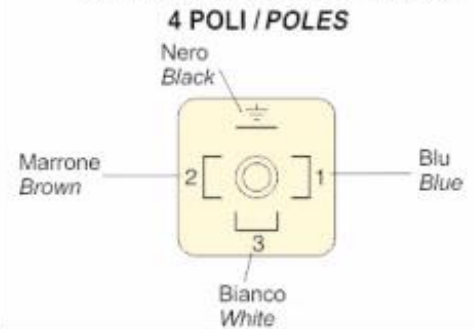


**Part number: COC000007 - Model: MOD.11 A CABLARE 4 POLI**

Connettore femmina K - versione 90°  
K female connector - 90° type



Configurazione e colori - vista lato frontale  
Configuration and wires color - front view



Dimension in mm

## TECHNICAL CHARACTERISTICS

Connection type:	15x15x25
Configuration:	FEMAL
Number of poles:	4
Cable gland:	PG7
Nut fixing material:	POLYPROPYLENE
Plug material:	POLYPROPYLENE
Pole material:	NECKELED BRASS
Pole treatment:	SILVER
Rated current:	16A
Rated voltage:	250Vac/dc
IP rating:	IP67
Operating temperature:	-40° ÷ +90°C



**MORE THAN SENSORS**



**Part number: COC000007 - Model: MOD.11 A CABLARE 4 POLI**