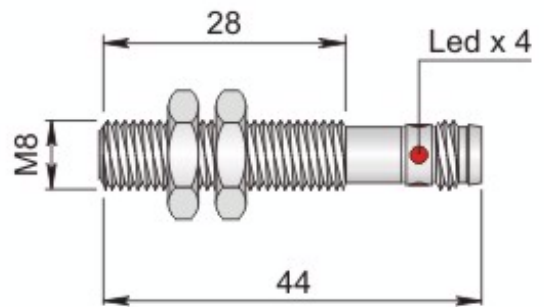




Part number: I08000064 - Model: SI8-DC2 NPN NC H1 S



Dimension in mm

TECHNICAL CHARACTERISTICS

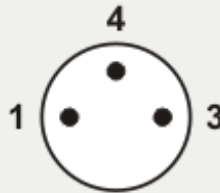
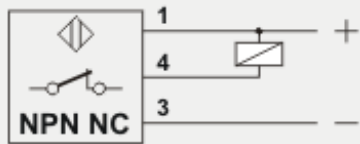
Power supply:	Direct current
Working voltage:	6 ÷ 30 Vdc
Switching distance (mm):	2
Output logic:	NPN
Function:	NC
Hysteresis (%Sn):	< 10%
Max switching frequency:	2000 Hz
Repeatability (%Sn):	< = 3
Max output current:	200 mA
Absorption:	< 12 mA @ 24Vdc
Voltage drop:	< 1.8 V
Short circuit protection:	Present
Led indicator:	Present
Temperature limits:	-25 ÷ +70 °C
IP rating:	Depending on connector
Housing material:	Stainless steel
Mechanical characteristics:	M8x1
Connection type:	H1 plug
Weigth:	25 g



Part number: I08000064 - Model: SI8-DC2 NPN NC H1 S

WIRING DIAGRAM

CONNECTION WITH H1 PLUG



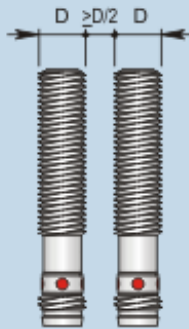
VIEW OF MALE CONNECTOR

- 1 = Brown / +
- 3 = Blue / -
- 4 = Black / output NC

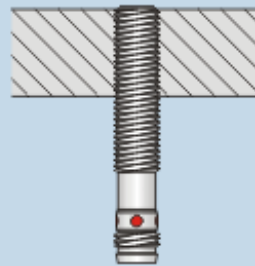
INSTRUCTIONS FOR CORRECT INSTALLATION

INSTRUCTIONS FOR CORRECT INSTALLATION

EMBEDDABLE



Side by side mounting



Flush mounting