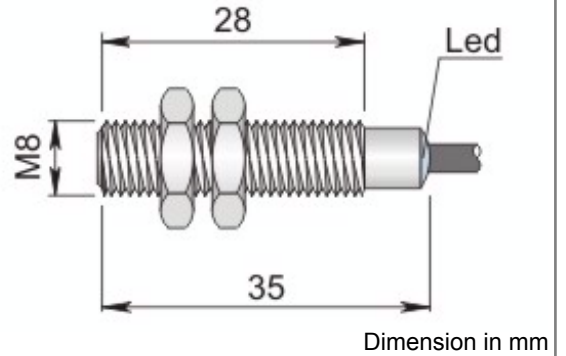




**Part number: I08000087 - Model: SI8-DC2 PNP NO S**



**TECHNICAL CHARACTERISTICS**

Power supply:	Direct current
Working voltage:	6 ÷ 30 Vdc
Switching distance (mm):	2
Output logic:	PNP
Function:	NO
Hysteresis (%Sn):	< 10%
Max switching frequency:	2000 Hz
Repeatability (%Sn):	< = 3
Max output current:	200 mA
Absorption:	< 12 mA @ 24Vdc
Voltage drop:	< 1.8 V
Short circuit protection:	Present
Led indicator:	Present
Temperature limits:	-25 ÷ +70 °C
IP rating:	IP 67
Housing material:	Stainless steel
Mechanical characteristics:	M8x1
Connection type:	Cable 2 m
Cable type:	3x0.14 PVC
Weigth:	60 g



Part number: I08000087 - Model: SI8-DC2 PNP NO S

## WIRING DIAGRAM

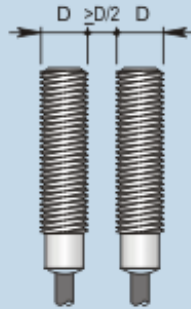
### 3 WIRES CABLE - LOGIC PNP NO



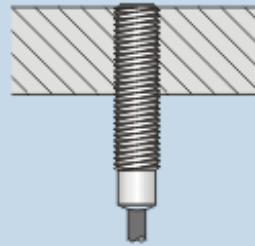
## INSTRUCTIONS FOR CORRECT INSTALLATION

### INSTRUCTIONS FOR CORRECT INSTALLATION

#### EMBEDDABLE



Side by side mounting



Flush mounting