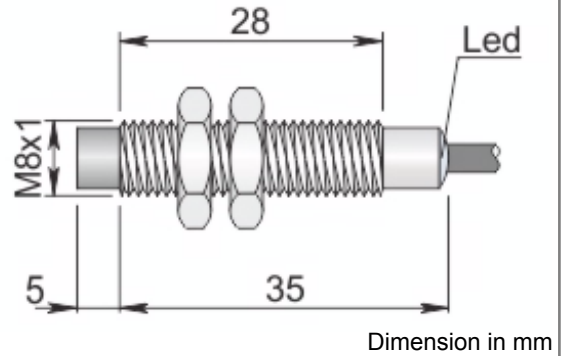




Part number: I08000189 - Model: SI8-DCE3 NPN NC S LC10



TECHNICAL CHARACTERISTICS

| | |
|-----------------------------|-----------------|
| Power supply: | Direct current |
| Working voltage: | 6 ÷ 30 Vdc |
| Switching distance (mm): | 3 |
| Output logic: | NPN |
| Function: | NC |
| Hysteresis (%Sn): | < 10% |
| Max switching frequency: | 2000 Hz |
| Repeatability (%Sn): | < = 3 |
| Max output current: | 200 mA |
| Absorption: | < 12 mA @ 24Vdc |
| Voltage drop: | < 1.8 V |
| Short circuit protection: | Present |
| Led indicator: | Present |
| Temperature limits: | -25 ÷ +70 °C |
| IP rating: | IP 67 |
| Housing material: | Stainless steel |
| Mechanical characteristics: | M8x1 |
| Connection type: | Cable 10 m |
| Cable type: | 3x0.14 PVC |
| Weigth: | 190 g |



Part number: I08000189 - Model: SI8-DCE3 NPN NC S LC10

WIRING DIAGRAM

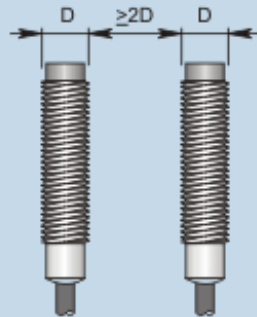
3 WIRES CABLE - LOGIC NPN NC



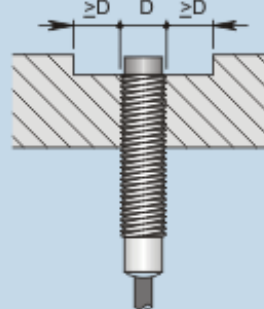
INSTRUCTIONS FOR CORRECT INSTALLATION

INSTRUCTIONS FOR CORRECT INSTALLATION

NOT EMBEDDABLE



Side by side mounting



Non flush mounting