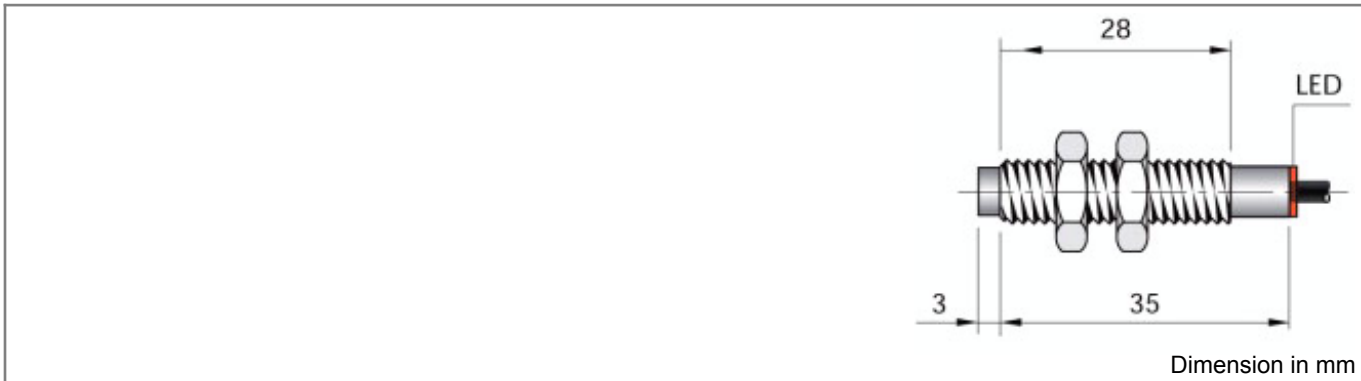




Part number: I08000195 - Model: SI8-DCE3 PNP NC S LC5



TECHNICAL CHARACTERISTICS	
Power supply:	Direct current
Working voltage:	6 ÷ 30 Vdc
Switching distance (mm):	3
Output logic:	PNP
Function:	NC
Hysteresis (%Sn):	< 10%
Max switching frequency:	2000 Hz
Repeatability (%Sn):	< = 3
Max output current:	200 mA
Absorption:	< 12 mA @ 24Vdc
Voltage drop:	< 1.8 V
Short circuit protection:	Present
Led indicator:	Present
Temperature limits:	-25 ÷ +70 °C
IP rating:	IP 67
Housing material:	Stainless steel
Mechanical characteristics:	M8x1
Connection type:	Cable 5 m
Cable type:	3x0.14 PVC
Weighth:	110 g



Part number: I08000195 - Model: SI8-DCE3 PNP NC S LC5

WIRING DIAGRAM

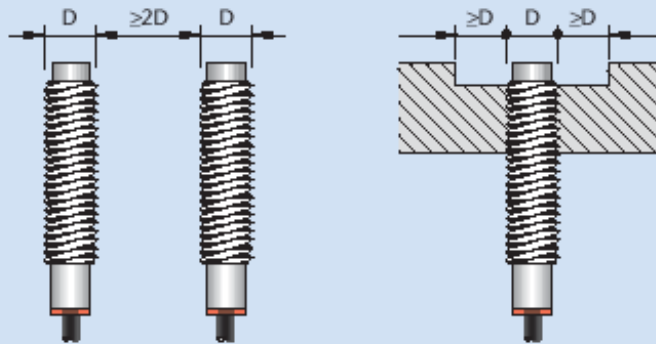
3 WIRES CABLE - LOGIC PNP NC



INSTRUCTIONS FOR CORRECT INSTALLATION

INSTRUCTIONS FOR CORRECT INSTALLATION

NOT EMBEDDABLE



Side by side mounting

Flush mounting