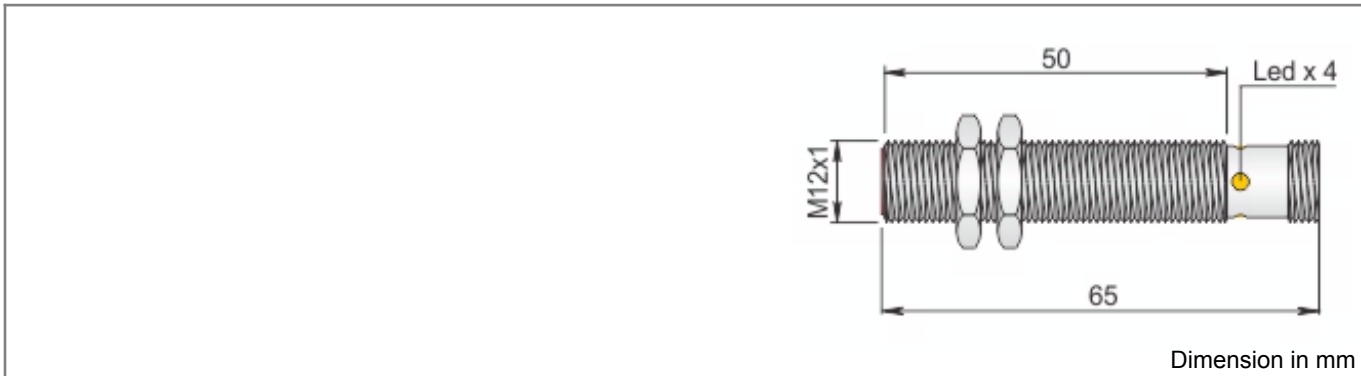




Part number: I12000758 - Model: SI12SM-B2 NO/NC H

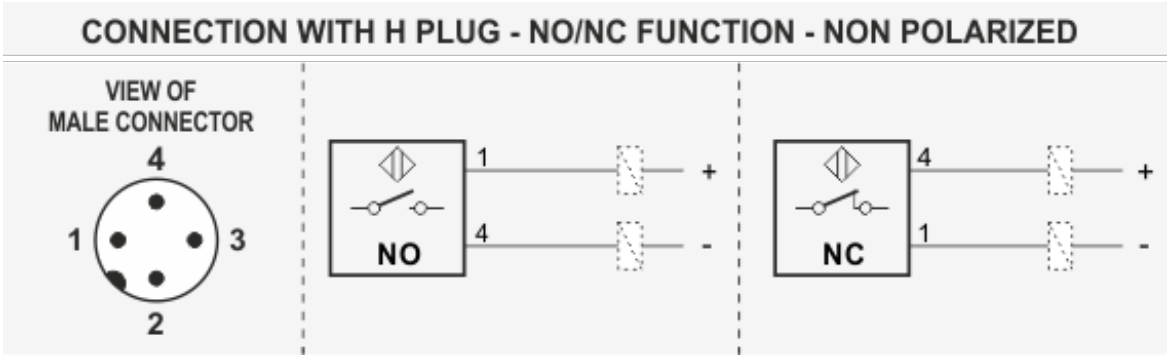


TECHNICAL CHARACTERISTICS	
Power supply:	Direct current
Working voltage:	10 ÷ 55 Vdc
Switching distance (mm):	2
Function:	NO/NC programmable
Hysteresis (%Sn):	< 10%
Max switching frequency:	1000 Hz
Repeatability (%Sn):	< = 3
Max output current:	100 mA
Min output current:	1.5 mA
Residual current:	< 0.6 mA
Voltage drop:	< 6.5 V
Short circuit protection:	Present
Led indicator:	Present
Temperature limits:	-25 ÷ +70 °C
IP rating:	Depending on connector
Housing material:	Nickelled brass
Mechanical characteristics:	M12x1
Connection type:	H plug
Weighth:	40 g



Part number: I12000758 - Model: SI12SM-B2 NO/NC H

WIRING DIAGRAM



INSTRUCTIONS FOR CORRECT INSTALLATION

