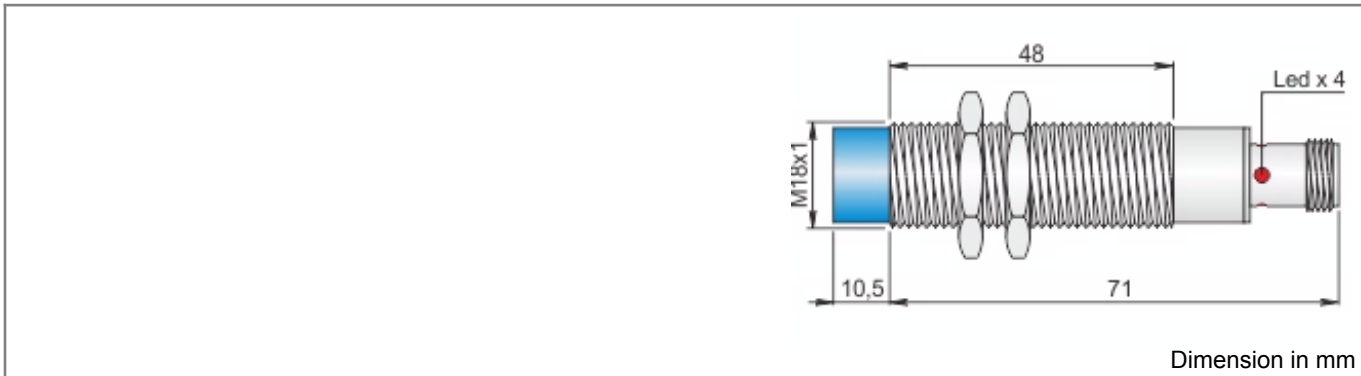


Part number: I1800007 - Model: SI18-AE8 NC H



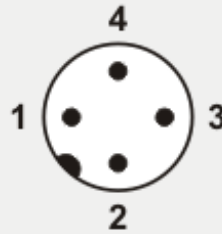
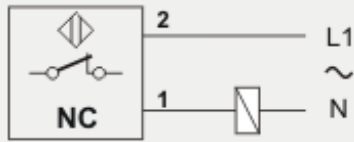
TECHNICAL CHARACTERISTICS	
Power supply:	Alternating current
Working voltage:	20 ÷ 250 Vac
Switching distance (mm):	8
Function:	NC
Hysteresis (%Sn):	< 10%
Max switching frequency:	12 Hz
Repeatability (%Sn):	< = 3
Max output current:	300 mA
Min output current:	5 mA
Max peak current for 20msec:	1.5 A
Residual current:	< 1 mA
Voltage drop:	< 6 V
Led indicator:	Present
Temperature limits:	-25 ÷ +70 °C
IP rating:	Depending on connector
Housing material:	Nickelled brass
Mechanical characteristics:	M18x1
Connection type:	H plug
Weighth:	70 g



Part number: I1800007 - Model: SI18-AE8 NC H

WIRING DIAGRAM

CONNECTION WITH H PLUG



VIEW OF MALE CONNECTOR

1 = Brown *

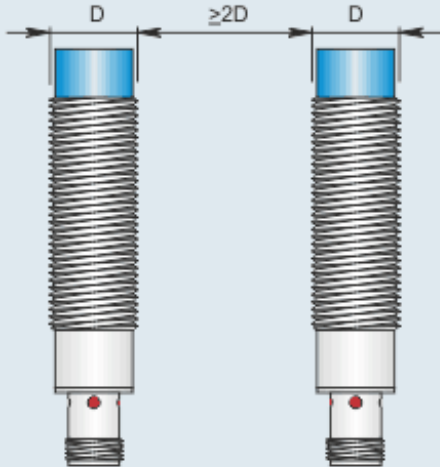
2 = White *

(*) The wire colour are referred to the connector with cable only

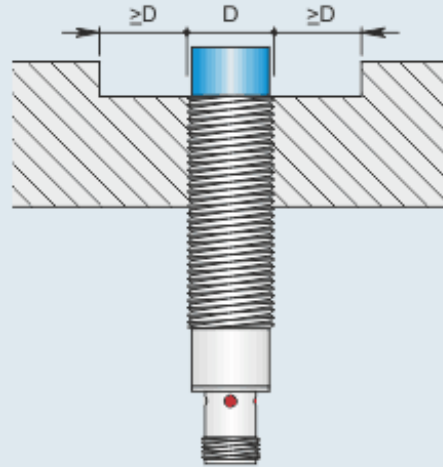
INSTRUCTIONS FOR CORRECT INSTALLATION

INSTRUCTIONS FOR CORRECT INSTALLATION

NOT EMBEDDABLE



Side by side mounting



Non flush mounting