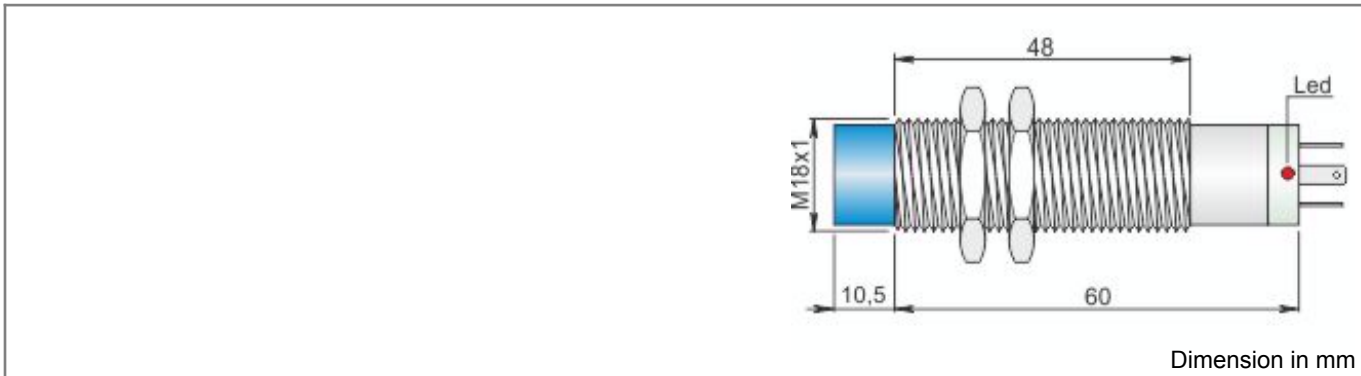




Part number: I18000008 - Model: SI18-AE8 NC K



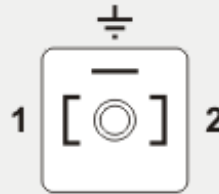
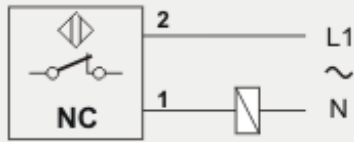
TECHNICAL CHARACTERISTICS	
Power supply:	Alternating current
Working voltage:	20 ÷ 250 Vac
Switching distance (mm):	8
Function:	NC
Hysteresis (%Sn):	< 10%
Max switching frequency:	12 Hz
Repeatability (%Sn):	< = 3
Max output current:	300 mA
Min output current:	5 mA
Max peak current for 20msec:	1.5 A
Residual current:	< 1 mA
Voltage drop:	< 6 V
Led indicator:	Present
Temperature limits:	-25 ÷ +70 °C
IP rating:	IP 65
Housing material:	Nickelled brass
Mechanical characteristics:	M18x1
Connection type:	K plug
Weigth:	80 g



Part number: I18000008 - Model: SI18-AE8 NC K

WIRING DIAGRAM

CONNECTION WITH K PLUG



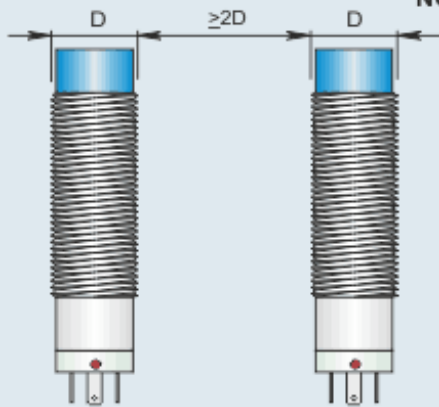
VIEW OF MALE CONNECTOR

1 / 2 = Function NC

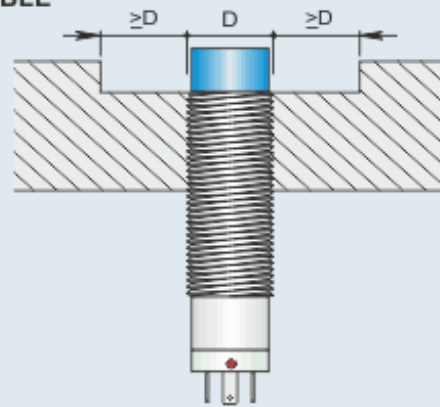
INSTRUCTIONS FOR CORRECT INSTALLATION

INSTRUCTIONS FOR CORRECT INSTALLATION

NOT EMBEDDABLE



Side by side mounting



Non flush mounting