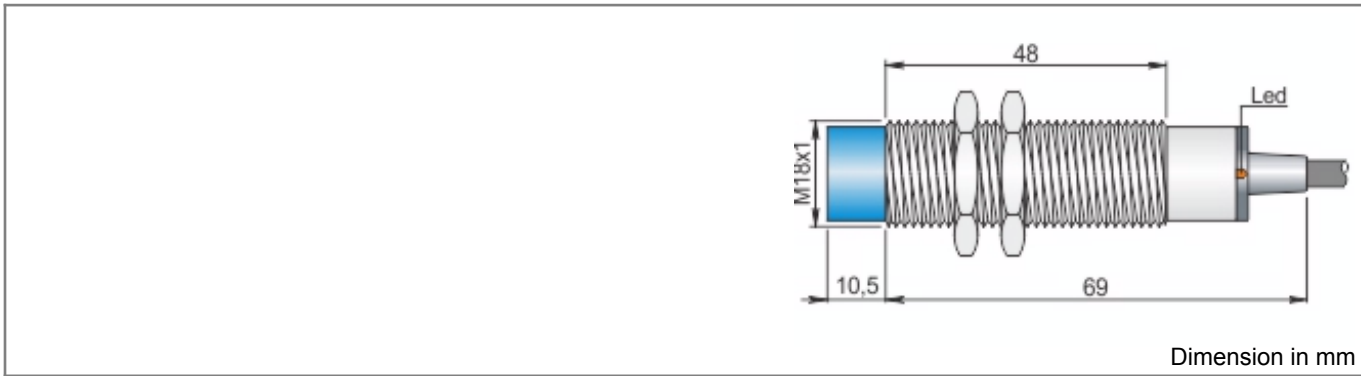




Part number: I18000009 - Model: SI18-AE8 NC



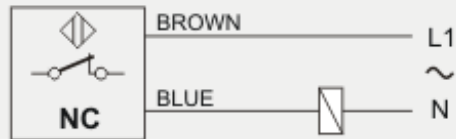
| TECHNICAL CHARACTERISTICS | |
|----------------------------------|---------------------|
| Power supply: | Alternating current |
| Working voltage: | 20 ÷ 250 Vac |
| Switching distance (mm): | 8 |
| Function: | NC |
| Hysteresis (%Sn): | < 10% |
| Max switching frequency: | 12 Hz |
| Repeatability (%Sn): | < = 3 |
| Max output current: | 300 mA |
| Min output current: | 5 mA |
| Max peak current for 20msec: | 1.5 A |
| Residual current: | < 1 mA |
| Voltage drop: | < 6 V |
| Led indicator: | Present |
| Temperature limits: | -25 ÷ +70 °C |
| IP rating: | IP 67 |
| Housing material: | Nickelled brass |
| Mechanical characteristics: | M18x1 |
| Connection type: | Cable 2 m |
| Cable type: | 2x0.50 PVC |
| Weigth: | 130 g |



Part number: I18000009 - Model: SI18-AE8 NC

WIRING DIAGRAM

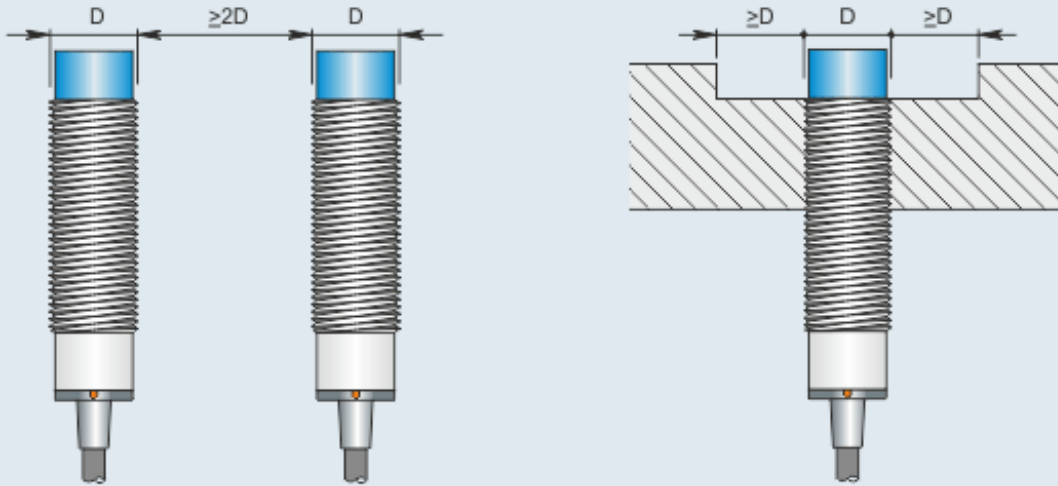
2 WIRES CABLE



INSTRUCTIONS FOR CORRECT INSTALLATION

INSTRUCTIONS FOR CORRECT INSTALLATION

NOT EMBEDDABLE



Side by side mounting

Non flush mounting