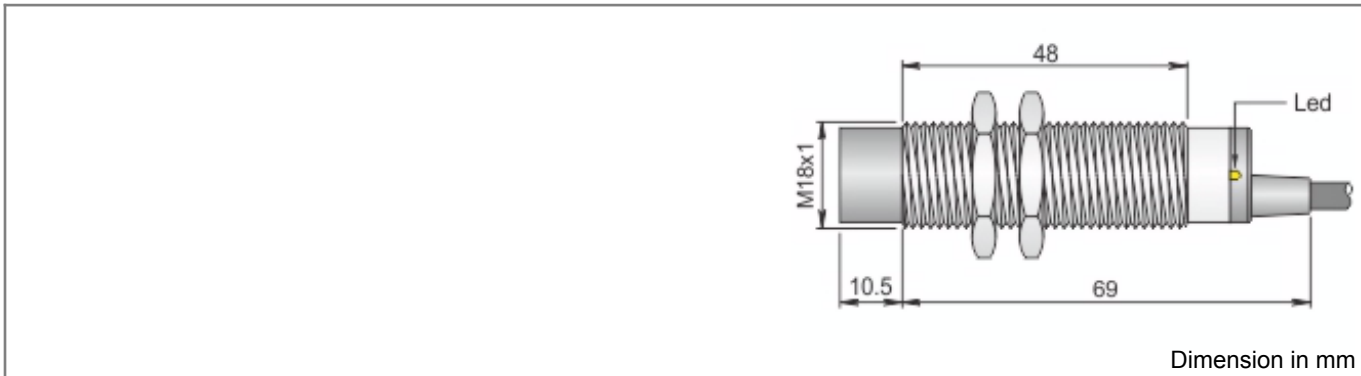




**Part number: I18000465 - Model: SI18-DCE16 NPN NO**



| <b>TECHNICAL CHARACTERISTICS</b> |                 |
|----------------------------------|-----------------|
| Power supply:                    | Direct current  |
| Working voltage:                 | 10 ÷ 30 Vdc     |
| Switching distance (mm):         | 16              |
| Output logic:                    | NPN             |
| Function:                        | NO              |
| Hysteresis (%Sn):                | < 10%           |
| Max switching frequency:         | 200 Hz          |
| Repeatability (%Sn):             | < = 3           |
| Max output current:              | 200 mA          |
| Absorption:                      | < 15 mA @ 24Vdc |
| Voltage drop:                    | < 1.8 V         |
| Short circuit protection:        | Present         |
| Led indicator:                   | Present         |
| Temperature limits:              | -25 ÷ +85 °C    |
| IP rating:                       | IP 67           |
| Housing material:                | Nickelled brass |
| Mechanical characteristics:      | M18x1           |
| Connection type:                 | Cable 2 m       |
| Cable type:                      | 3x0.35 PVC      |
| Weigth:                          | 130 g           |



Part number: I18000465 - Model: SI18-DCE16 NPN NO

## WIRING DIAGRAM

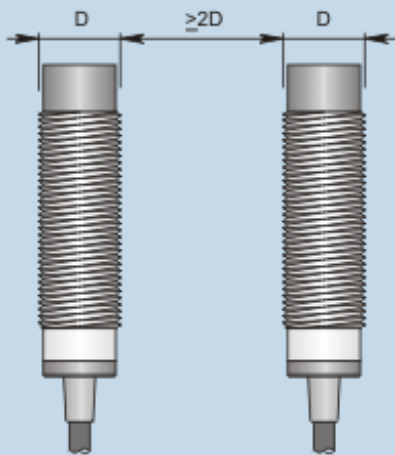
### 3 WIRES CABLE - LOGIC NPN NO



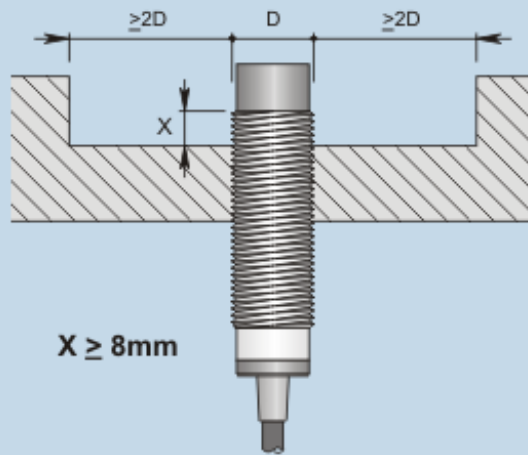
## INSTRUCTIONS FOR CORRECT INSTALLATION

### INSTRUCTIONS FOR CORRECT INSTALLATION

#### NOT EMBEDDABLE



Side by side mounting



Non flush mounting