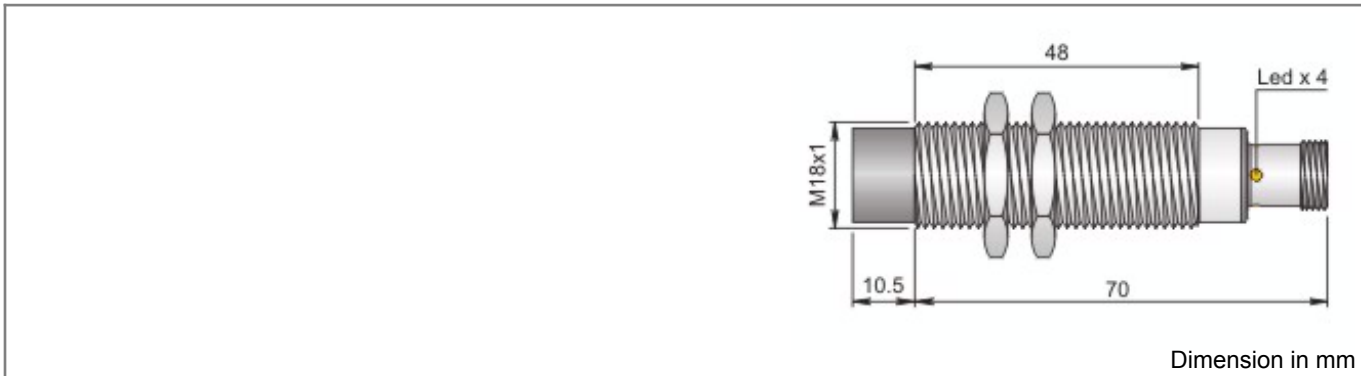




Part number: I18000470 - Model: SI18-DCE16 PNP NC H



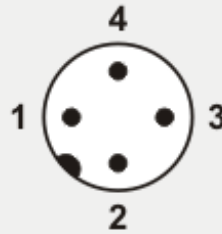
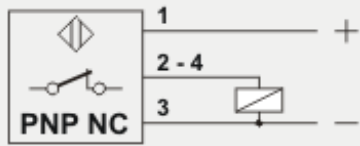
TECHNICAL CHARACTERISTICS	
Power supply:	Direct current
Working voltage:	10 ÷ 30 Vdc
Switching distance (mm):	16
Output logic:	PNP
Function:	NC
Hysteresis (%Sn):	< 10%
Max switching frequency:	200 Hz
Repeatability (%Sn):	< = 3
Max output current:	200 mA
Absorption:	< 15 mA @ 24Vdc
Voltage drop:	< 1.8 V
Short circuit protection:	Present
Led indicator:	Present
Temperature limits:	-25 ÷ +85 °C
IP rating:	Depending on connector
Housing material:	Nickelled brass
Mechanical characteristics:	M18x1
Connection type:	H plug
Weigth:	70 g



Part number: I18000470 - Model: SI18-DCE16 PNP NC H

WIRING DIAGRAM

CONNECTION WITH H PLUG



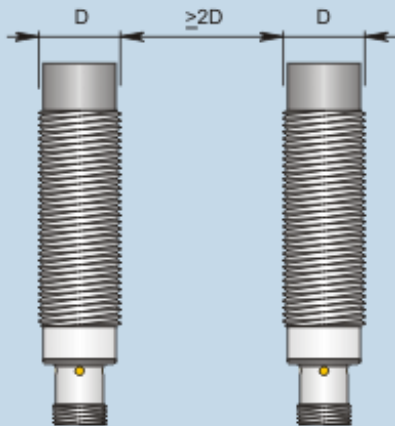
VIEW OF MALE CONNECTOR

- 1 = Brown / +
- 3 = Blue / -
- 2 - 4 = Black / output NC

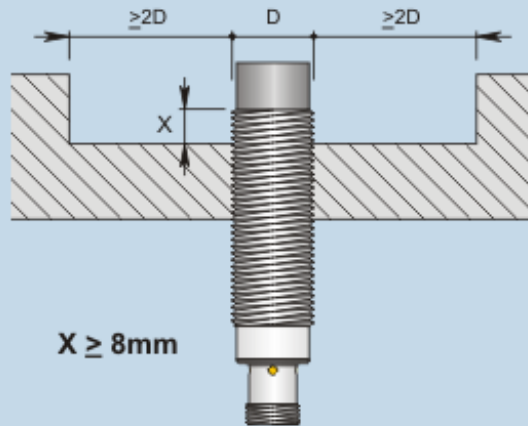
INSTRUCTIONS FOR CORRECT INSTALLATION

INSTRUCTIONS FOR CORRECT INSTALLATION

NOT EMBEDDABLE



Side by side mounting



Non flush mounting