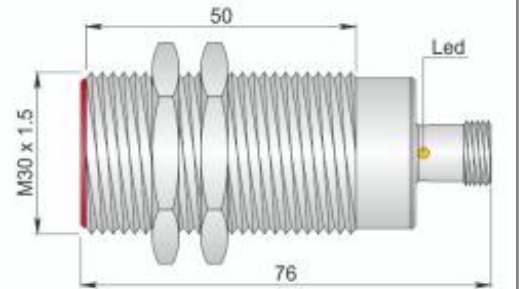




**Part number: I30000046 - Model: SI30-C10 PNP NC H**



Dimension in mm

### TECHNICAL CHARACTERISTICS

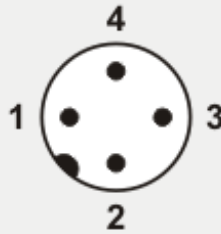
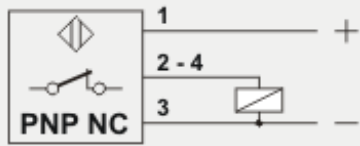
Power supply:	Direct current
Working voltage:	10 ÷ 30 Vdc
Switching distance (mm):	10
Output logic:	PNP
Function:	NC
Hysteresis (%Sn):	< 10%
Max switching frequency:	300 Hz
Repeatability (%Sn):	< = 3
Max output current:	200 mA
Absorption:	< 15 mA @ 24Vdc
Voltage drop:	< 1.8 V
Short circuit protection:	Present
Led indicator:	Present
Temperature limits:	-25 ÷ +70 °C
IP rating:	Depending on connector
Housing material:	Nickelled brass
Mechanical characteristics:	M30x1.5
Connection type:	H plug
Weigth:	160 g



Part number: I30000046 - Model: SI30-C10 PNP NC H

## WIRING DIAGRAM

### CONNECTION WITH H PLUG



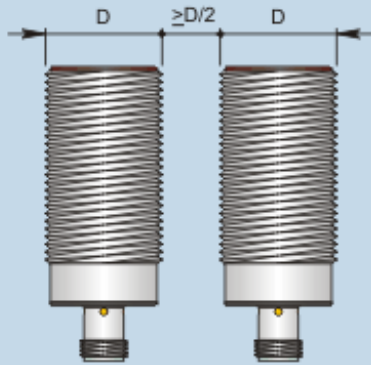
### VIEW OF MALE CONNECTOR

- 1 = Brown / +
- 3 = Blue / -
- 2 - 4 = Black / output NC

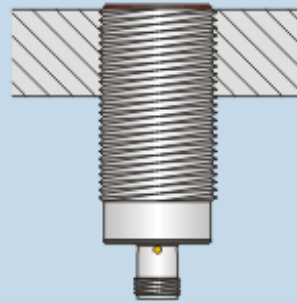
## INSTRUCTIONS FOR CORRECT INSTALLATION

### INSTRUCTIONS FOR CORRECT INSTALLATION

#### EMBEDDABLE



Side by side mounting



Flush mounting