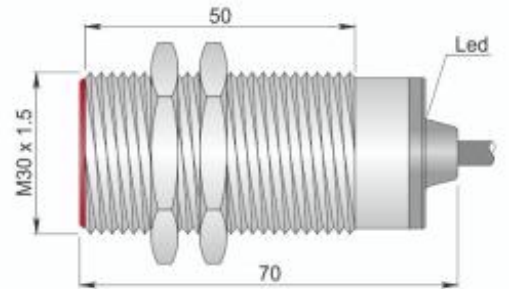




**Part number: I3000051 - Model: SI30-C10 PNP NO**



Dimension in mm

**TECHNICAL CHARACTERISTICS**

Power supply:	Direct current
Working voltage:	10 ÷ 30 Vdc
Switching distance (mm):	10
Output logic:	PNP
Function:	NO
Hysteresis (%Sn):	< 10%
Max switching frequency:	300 Hz
Repeatability (%Sn):	< = 3
Max output current:	200 mA
Absorption:	< 15 mA @ 24Vdc
Voltage drop:	< 1.8 V
Short circuit protection:	Present
Led indicator:	Present
Temperature limits:	-25 ÷ +70 °C
IP rating:	IP 67
Housing material:	Nickelled brass
Mechanical characteristics:	M30x1.5
Connection type:	Cable 2 m
Cable type:	3x0.35 PVC
Weigth:	220 g



Part number: I30000051 - Model: SI30-C10 PNP NO

## WIRING DIAGRAM

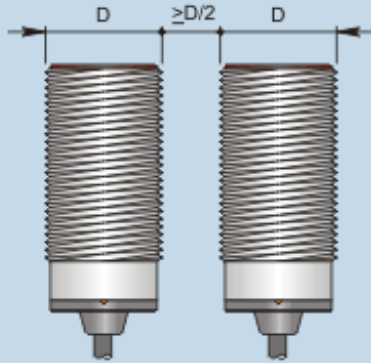
### 3 WIRES CABLE - LOGIC PNP NO



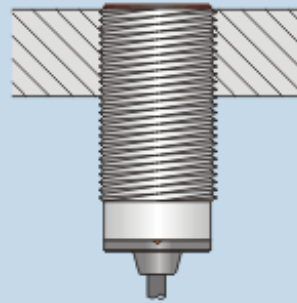
## INSTRUCTIONS FOR CORRECT INSTALLATION

### INSTRUCTIONS FOR CORRECT INSTALLATION

#### EMBEDDABLE



Side by side mounting



Flush mounting