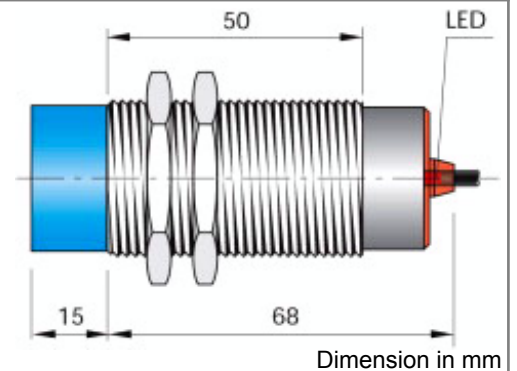




**Part number: I30000141 - Model: SI30-AE15 NC LC5**



**TECHNICAL CHARACTERISTICS**

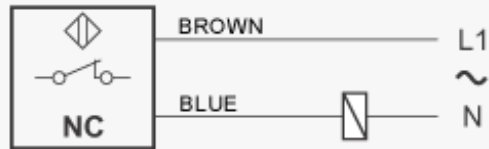
Power supply:	Alternating current
Working voltage:	20 ÷ 250 Vac
Switching distance (mm):	15
Function:	NC
Hysteresis (%Sn):	< 10%
Max switching frequency:	12 Hz
Repeatability (%Sn):	< = 3
Max output current:	300 mA
Min output current:	5 mA
Max peak current for 20msec:	1.5 A
Residual current:	< 1 mA
Voltage drop:	< 6 V
Led indicator:	Present
Temperature limits:	-25 ÷ +70 °C
IP rating:	IP 67
Housing material:	Nickelled brass
Mechanical characteristics:	M30x1.5
Connection type:	Cable 5 m
Cable type:	2x0.50 PVC
Weighth:	310 g



Part number: I30000141 - Model: SI30-AE15 NC LC5

## WIRING DIAGRAM

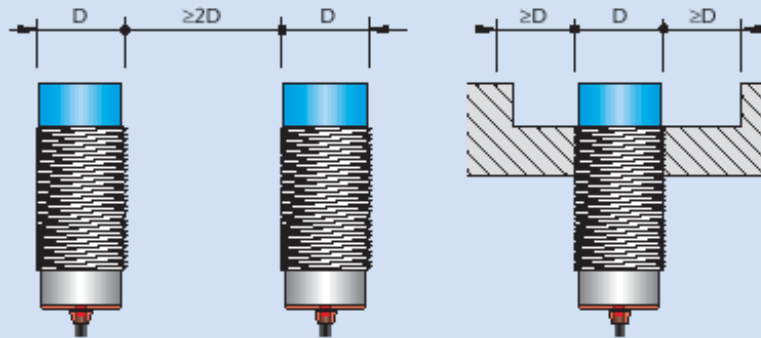
### 2 WIRES CABLE + EARTH



## INSTRUCTIONS FOR CORRECT INSTALLATION

### INSTRUCTIONS FOR CORRECT INSTALLATION

#### NOT EMBEDDABLE



Side by side mounting

Non flush mounting