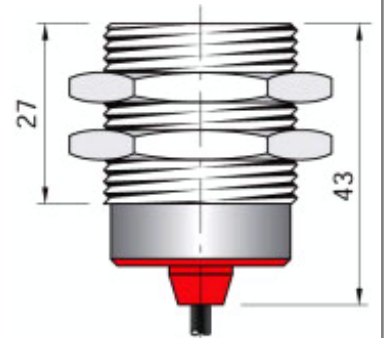


**Part number: I30000298 - Model: SI30-N10 LC5**

Dimension in mm

**TECHNICAL CHARACTERISTICS**

Power supply:	Direct current
Working voltage:	5 ÷ 30 Vdc
Switching distance (mm):	10
Max switching frequency:	500 Hz
Repeatability (%Sn):	< = 3
Absorption:	On < = 1 mA - Off >= 3 mA @ 8.2V
Temperature limits:	-25 ÷ +70 °C
IP rating:	IP 67
Housing material:	Nickelled brass
Mechanical characteristics:	M30x1.5
Connection type:	Cable 5 m
Cable type:	2x0.50 PVC
Weighth:	260 g



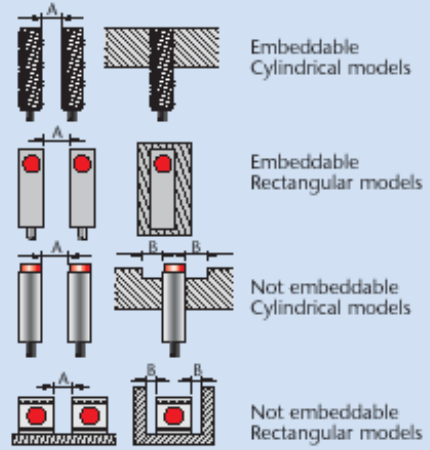
**Part number: I30000298 - Model: SI30-N10 LC5**

**WIRING DIAGRAM**



**INSTRUCTIONS FOR CORRECT INSTALLATION**

**INSTRUCTIONS FOR CORRECT INSTALLATION**



Embeddable Cylindrical models

Embeddable Rectangular models

Not embeddable Cylindrical models

Not embeddable Rectangular models

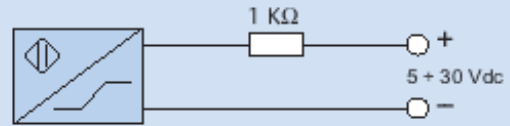
	▲ (A) mm	● (A) mm	● (B) mm
SI 6.5	≥ 4	≥ 16	≥ 8
SI 8	≥ 4	≥ 16	≥ 8
SI 12	≥ 6	≥ 24	≥ 12
SI 14	≥ 7	≥ 28	≥ 14
SI 18	≥ 9	≥ 36	≥ 18
SI 30	≥ 15	≥ 60	≥ 30
SIP A8	≥ 2	-	-
SIP C8	≥ 2	-	-
SIP 10	≥ 10	-	≥ 0
SIP 12	≥ 6	≥ 12	≥ 6
SIP 17	-	≥ 20	≥ 6
SIP 40	≥ 30	≥ 50	≥ 15
SIQ 80	-	≥ 450	≥ 70

N.B. A = Mutual interference - B = Interference with metallic part

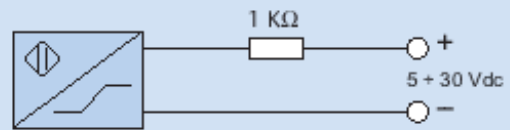
## WORKING PRINCIPLE



In presence of metal  $I \leq 1 \text{ mA @ } 8.2 \text{ V}$



In absence of metal  $I \geq 3 \text{ mA @ } 8.2 \text{ V}$



The NAMUR sensors are electronic devices whose absorbed current varies in the presence of a metallic object. The difference between these sensors and traditional sensors is the absence of amplifier trigger stages.