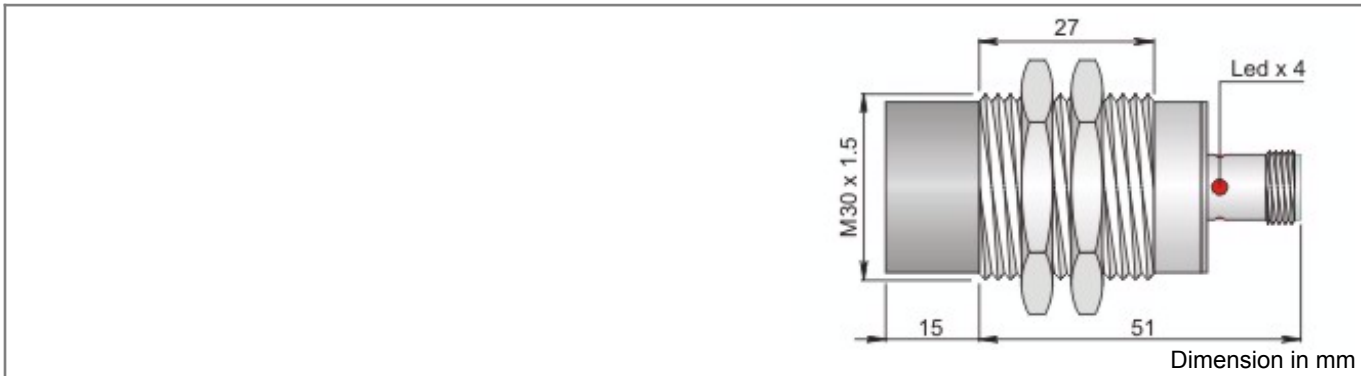




**Part number: I30000477 - Model: SI30SM-DCE20 PNP NC H S**



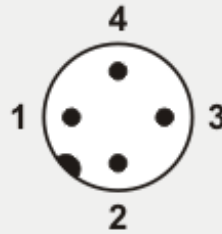
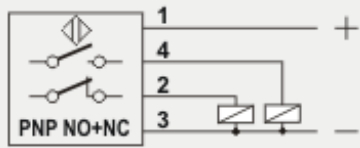
<b>TECHNICAL CHARACTERISTICS</b>	
Power supply:	Direct current
Working voltage:	10 ÷ 30 Vdc
Switching distance (mm):	20
Output logic:	PNP
Function:	NC
Hysteresis (%Sn):	< 10%
Max switching frequency:	200 Hz
Repeatability (%Sn):	< = 3
Max output current:	200 mA
Absorption:	< 15 mA @ 24Vdc
Voltage drop:	< 1.8 V
Short circuit protection:	Present
Led indicator:	Present
Temperature limits:	-25 ÷ +70 °C
IP rating:	Depending on connector
Housing material:	Nickelled brass
Mechanical characteristics:	M30x1.5
Connection type:	H plug
Cable type:	3x0.35 PVC
Weigth:	125 g



Part number: I30000477 - Model: SI30SM-DCE20 PNP NC H S

WIRING DIAGRAM

CONNECTION WITH H PLUG



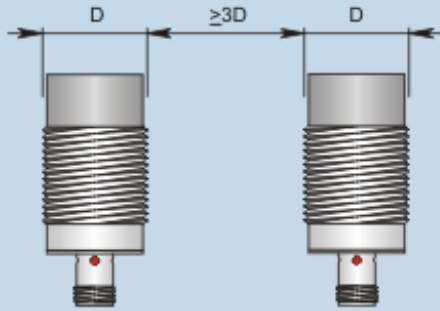
VIEW OF MALE CONNECTOR

- 1 = Brown / +
- 3 = Blue / -
- 4 = Black / output NO
- 2 = White / output NC

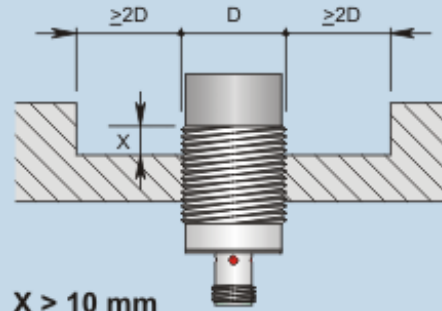
INSTRUCTIONS FOR CORRECT INSTALLATION

INSTRUCTIONS FOR CORRECT INSTALLATION

NOT EMBEDDABLE



Side by side mounting



$X \geq 10 \text{ mm}$

Non flush mounting