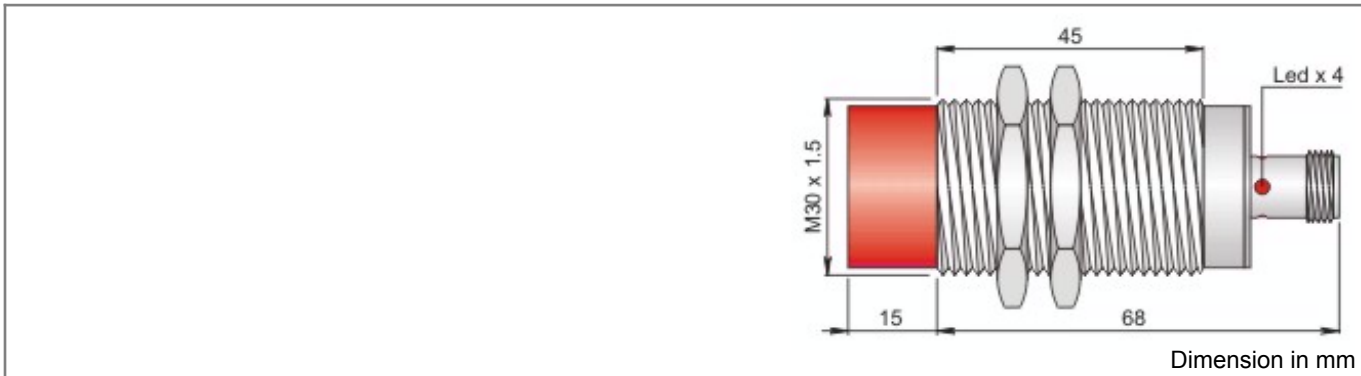




**Part number: I30000518 - Model: SI30SM-BE15 NO/NC H**



**TECHNICAL CHARACTERISTICS**

Power supply:	Direct current
Working voltage:	10 ÷ 55 Vdc
Switching distance (mm):	15
Function:	NO/NC programmable
Hysteresis (%Sn):	< 10%
Max switching frequency:	300 Hz
Repeatability (%Sn):	< = 3
Max output current:	100 mA
Min output current:	1.5 mA
Residual current:	< 0.6 mA
Voltage drop:	< 6.5 V
Short circuit protection:	Present
Led indicator:	Present
Temperature limits:	-25 ÷ +70 °C
IP rating:	Depending on connector
Housing material:	Nickelled brass
Mechanical characteristics:	M30x1.5
Connection type:	H plug
Weigth:	150 g

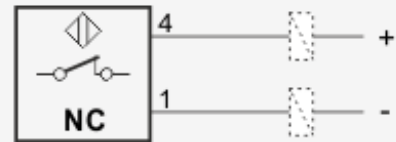
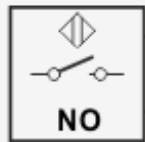
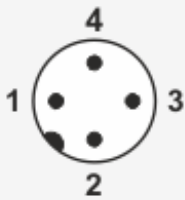


Part number: I30000518 - Model: SI30SM-BE15 NO/NC H

**WIRING DIAGRAM**

**CONNECTION WITH H PLUG - NO/NC FUNCTION - NON POLARIZED**

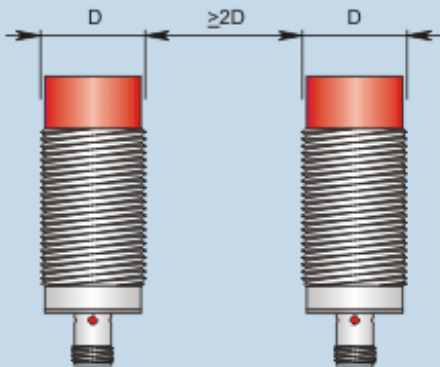
VIEW OF  
MALE CONNECTOR



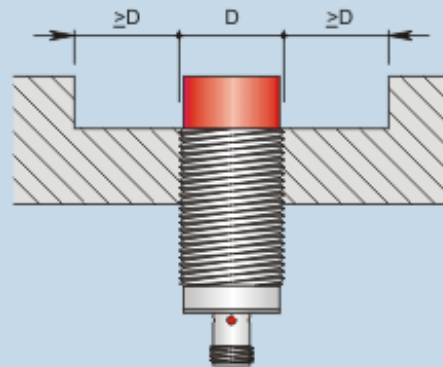
**INSTRUCTIONS FOR CORRECT INSTALLATION**

**INSTRUCTIONS FOR CORRECT INSTALLATION**

**NOT EMBEDDABLE**



Side by side mounting



Non flush mounting