



Part number: I30000531 - Model: SI30SM-BE15 NO/NC K



TECHNICAL CHARACTERISTICS	
Power supply:	Direct current
Working voltage:	10 ÷ 55 Vdc
Switching distance (mm):	15
Function:	NO/NC programmable
Hysteresis (%Sn):	< 10%
Max switching frequency:	300 Hz
Repeatability (%Sn):	< = 3
Max output current:	100 mA
Min output current:	1.5 mA
Residual current:	< 0.6 mA
Voltage drop:	< 6.5 V
Short circuit protection:	Present
Led indicator:	Present
Temperature limits:	-25 ÷ +70 °C
IP rating:	IP 65
Housing material:	Nickelled brass
Mechanical characteristics:	M30x1.5
Connection type:	K plug
Weigth:	190 g

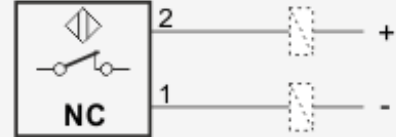
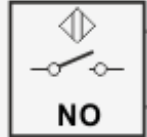
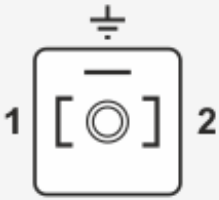


Part number: I30000531 - Model: SI30SM-BE15 NO/NC K

WIRING DIAGRAM

CONNECTION WITH K PLUG - NO/NC FUNCTION - NON POLARIZED

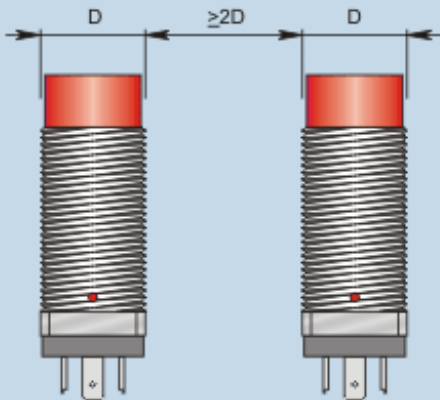
VIEW OF
MALE CONNECTOR



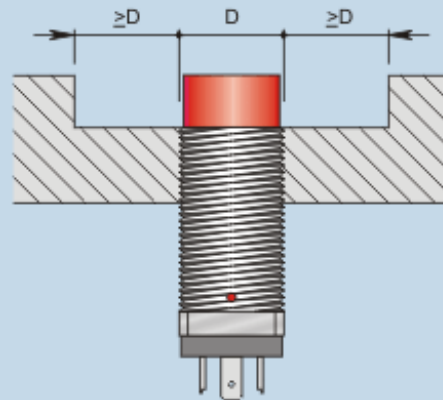
INSTRUCTIONS FOR CORRECT INSTALLATION

INSTRUCTIONS FOR CORRECT INSTALLATION

NOT EMBEDDABLE



Side by side mounting



Non flush mounting