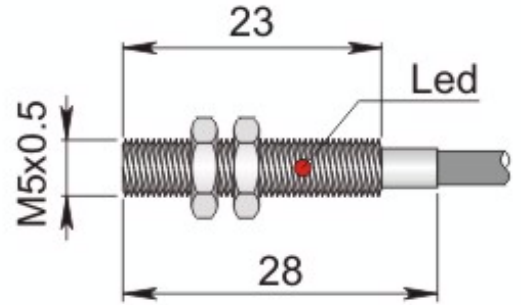




Part number: I45000098 - Model: SI5-DC1.5 PNP NO LC5



Dimension in mm

TECHNICAL CHARACTERISTICS

Power supply:	Direct current
Working voltage:	6 ÷ 30 Vdc
Switching distance (mm):	1.5
Output logic:	PNP
Function:	NO
Hysteresis (%Sn):	< 10%
Max switching frequency:	2000 Hz
Repeatability (%Sn):	< = 3
Max output current:	150 mA
Absorption:	< 10 mA @ 24Vdc
Voltage drop:	< 1.4 V
Short circuit protection:	Present
Led indicator:	Present
Temperature limits:	-25 ÷ +70 °C
IP rating:	IP 67
Housing material:	Stainless steel
Mechanical characteristics:	M5x0.5
Connection type:	Cable 5 m
Cable type:	3x0.094 PUR-TPE-E
Weigth:	100 g



Part number: I45000098 - Model: SI5-DC1.5 PNP NO LC5

WIRING DIAGRAM

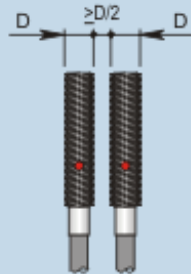
3 WIRES CABLE - LOGIC PNP NO



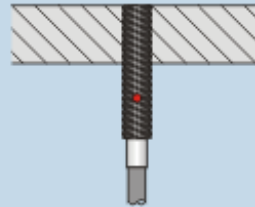
INSTRUCTIONS FOR CORRECT INSTALLATION

INSTRUCTIONS FOR CORRECT INSTALLATION

EMBEDDABLE



Side by side mounting



Flush mounting