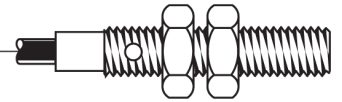




Part number: SIA000109 - Model: SIA100-NE

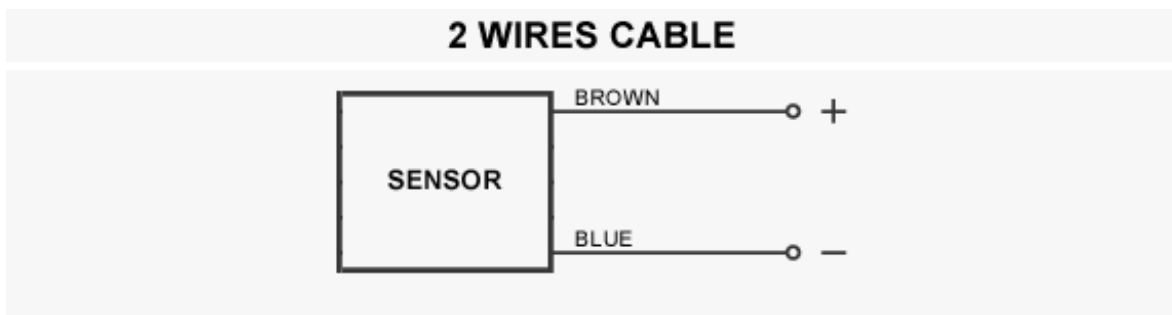


| TECHNICAL CHARACTERISTICS | |
|----------------------------------|-----------------------------------|
| Power supply: | Direct current |
| Working voltage: | 5 ÷ 30 Vdc |
| Sensing hole diameter (mm): | 100 |
| Minimum detectable object (mm): | Ø 12 x 20 |
| Max switching frequency: | 100 Hz |
| Repeatability (%Sn): | < = 0.3 |
| Absorption: | On < = 1 mA - Off > = 3 mA @ 8.2V |
| Temperature limits: | -20 ÷ +60 °C |
| IP rating: | IP 65 |
| Housing material: | Plastic |
| Mechanical characteristics: | SIA100 140x165x29 |
| Connection type: | Cable 2 m |
| Cable type: | 2x0.50 PVC |
| Weigth: | 710 g |



Part number: SIA000109 - Model: SIA100-NE

WIRING DIAGRAM



INSTRUCTIONS FOR CORRECT INSTALLATION

INSTRUCTIONS FOR CORRECT INSTALLATION

Fig. 1

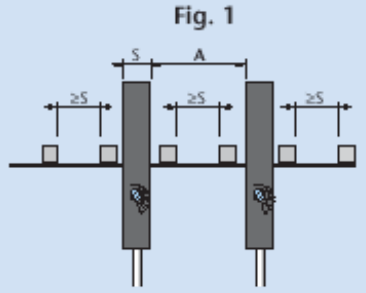
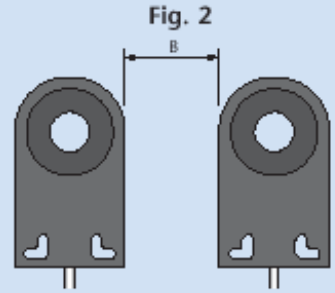
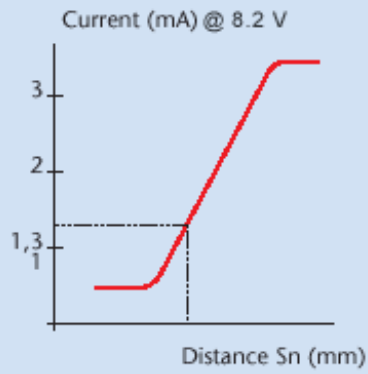


Fig. 2

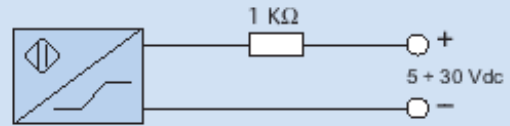


| Model | SIA05 | SIA12 | SIA15 | SIA22 | SIA30 | SIA44 | SIA63 | SIA100 |
|---------------|-------|-------|-------|-------|-------|-------|-------|--------|
| A (Fig. 1) mm | 25 | 30 | 30 | 60 | 60 | 300 | 300 | 600 |
| B (Fig. 2) mm | 10 | 10 | 10 | 20 | 20 | 250 | 250 | 650 |

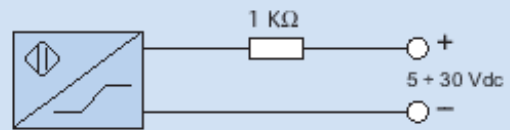
WORKING PRINCIPLE



In presence of metal $I \leq 1 \text{ mA @ } 8.2 \text{ V}$



In absence of metal $I \geq 3 \text{ mA @ } 8.2 \text{ V}$



The NAMUR sensors are electronic devices whose absorbed current varies in the presence of a metallic object. The difference between these sensors and traditional sensors is the absence of amplifier trigger stages.